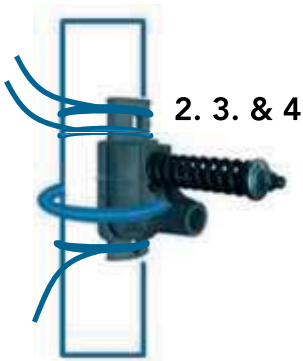


Installation Instructions

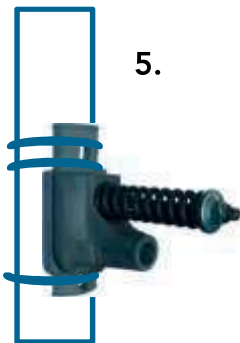
Step 1 – Install the top bracket.



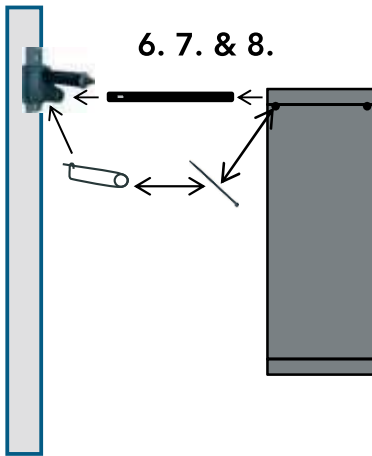
1. Position the top bracket at the location you want and wrap a bungee cord around the middle of the bracket to hold it in place on the column temporarily. (Make sure spring is uppermost).



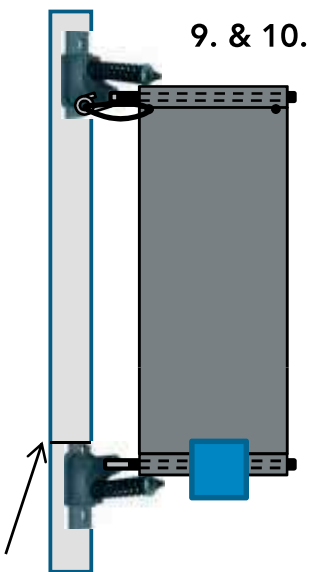
2. Position the 3 Tamtorque bands around the column and over the 3 slots of the bracket.
3. Tighten the banding using the correct tool.
4. Tighten the bands around the column until you see that the bands are tensioned correctly and that they are parallel to the bracket edge.



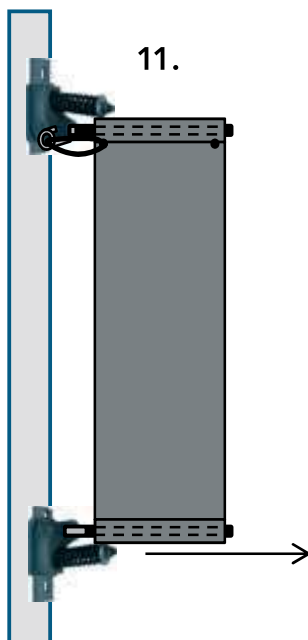
5. Remove the bungee from the bracket once the banding is tensioned correctly



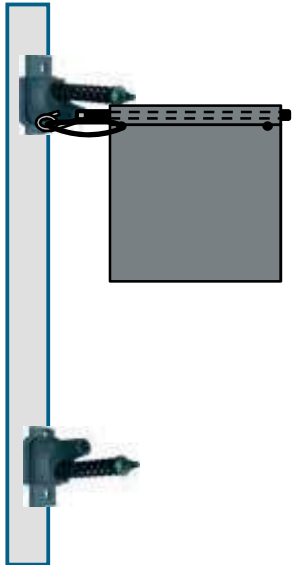
6. Slide the banner onto the top arm and then fit the arm into the bracket. Make sure the holes on the arm and bracket line up.
7. Put the pin through the hole in the top bracket and the arm and secure it on the other side.
8. Put a cable tie through the eyelet in the banner and the circular part of the pin and cut off the excess.



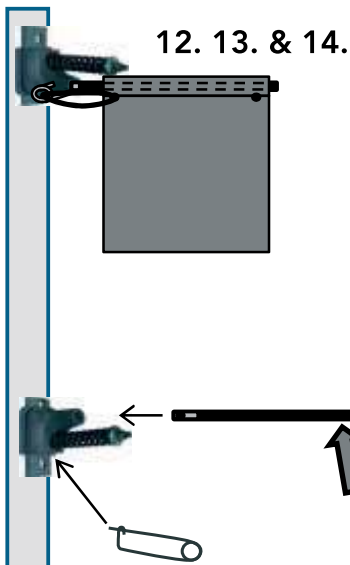
9. Insert the bottom arm into the bottom pocket of the banner and then into the bracket.
10. Holding the assembly from the middle of the banner, hold against the column and mark the position for the installation of the bottom bracket.



11. Remove the banner and arm from the bottom bracket.

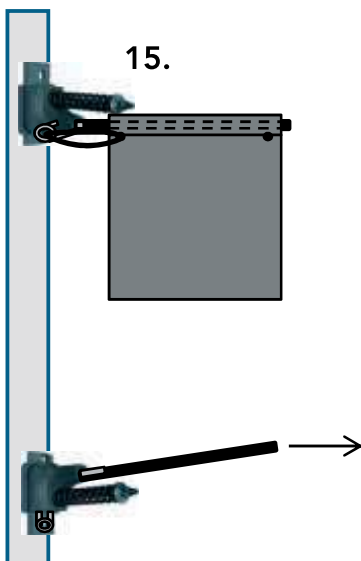


Install the bottom bracket on the marked line using Step 1 – 5,
Important: make sure the Spring is at the Bottom



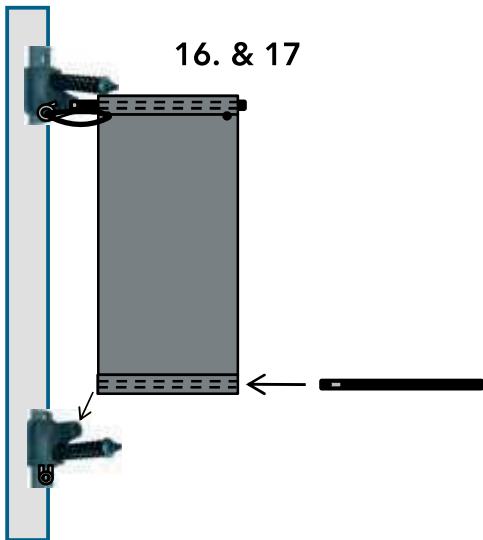
12. 13. & 14.

12. Insert bottom arm into the bracket.
13. Push the arm upwards to part the 2 sections of the bracket.
14. Insert a screwdriver/pin between the two pieces of the bracket (this will keep the bracket held apart and the arm at an angle upwards)

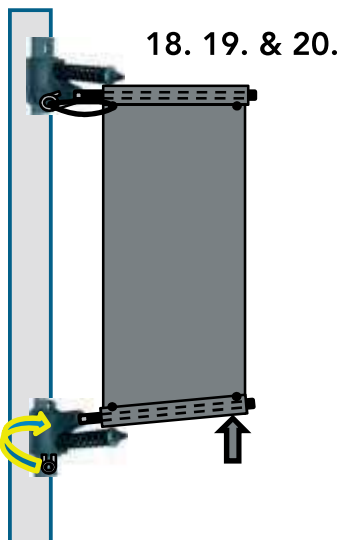


15.

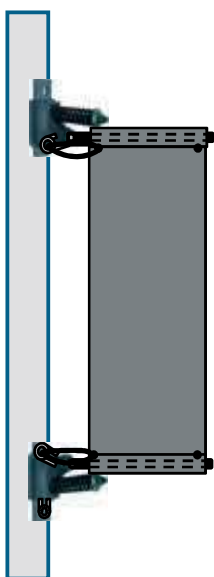
15. Remove the bottom arm.



16. Insert bottom arm into the banner pocket.
17. Insert the arm along with the banner into the bracket.



18. Push the pole up.
19. Remove screwdriver/pin from the middle of the 2 brackets.
20. Insert pin through the bracket and cable tie as you did the upper bracket.



The Air Spring Banner System is now installed.

Note: You should have tension down the middle of the banner; both edges of the banner should be slightly loose.