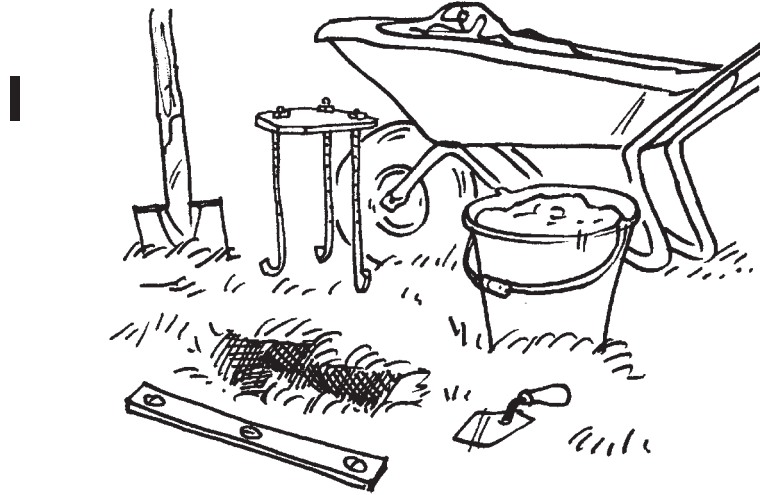


Architectural Flagpoles

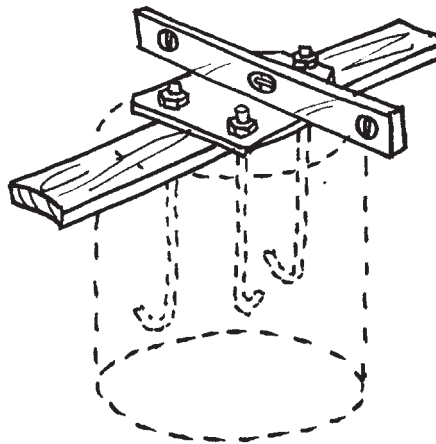
Installation



For the foundation, dig a hole of suitable size and depth (see specifications). Fill the hole with a good lime cement (20MN/m)
1 cement : 2 sand : 3 pea gravel



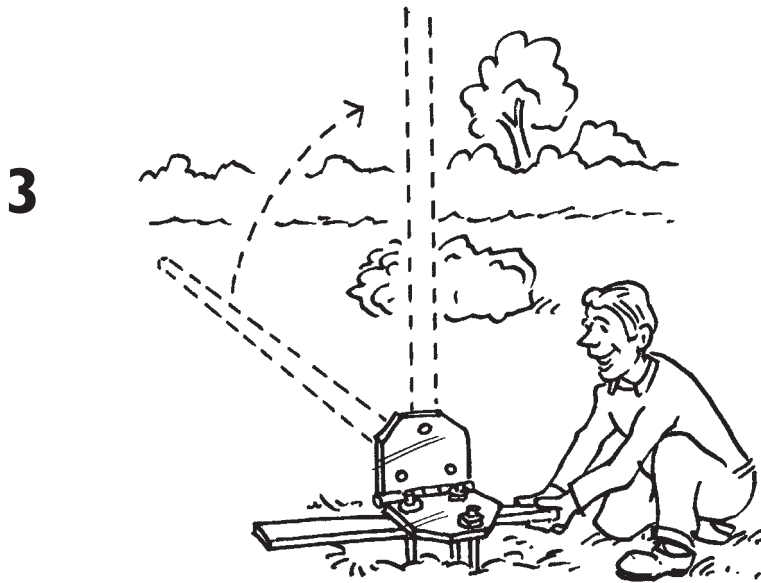
2



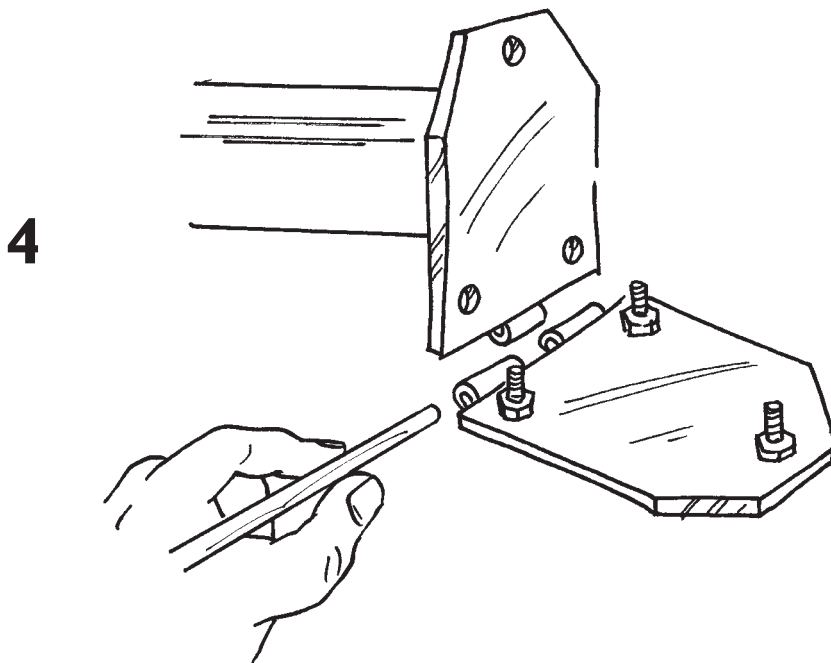
Press the anchor bolts into the concrete. To facilitate later adjustments of the flagpole, there must be a gap of approx.30 mm between the tilt plate and the concrete.

Architectural Flagpoles

Installation



Level the tilt plate and support it with a board to prevent it sinking into the concrete. Remember to position the tilt plate to allow enough space for the flagpole.

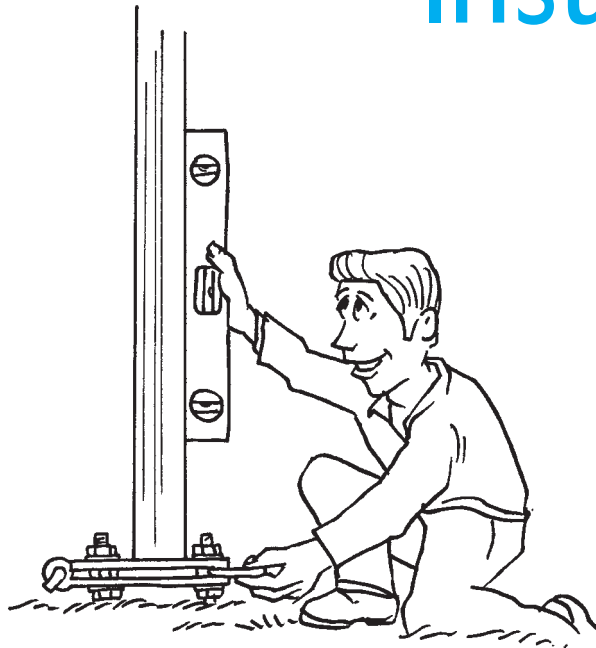


Once the concrete has set (3-7 days, depending on the season), connect the upper bracket on the flagpole to the tilt plate using the cranked cotter. Erect the flagpole and fasten it with nuts.

Architectural Flagpoles

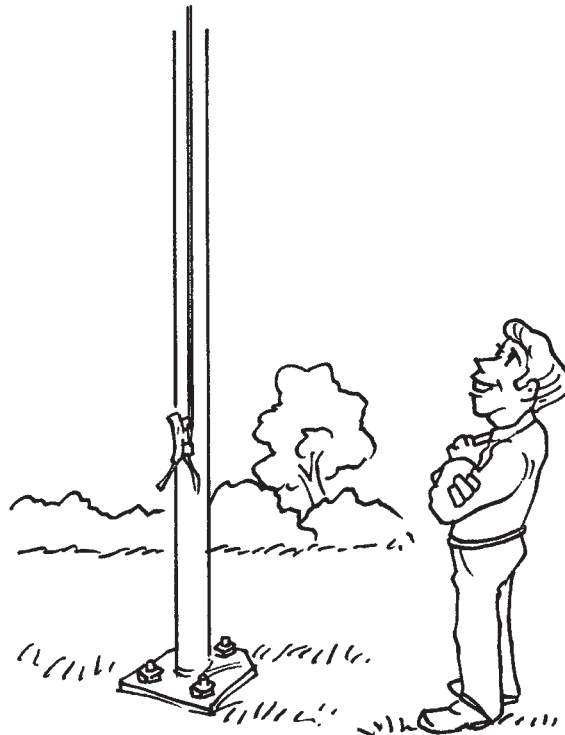
Installation

5



Adjust the vertical position of the flagpole with the nuts on each anchor bolt. Remember to tighten all the nuts once the flagpole is fully vertical.

6



By following this guide, we are sure that you will enjoy the flagpole for many years.