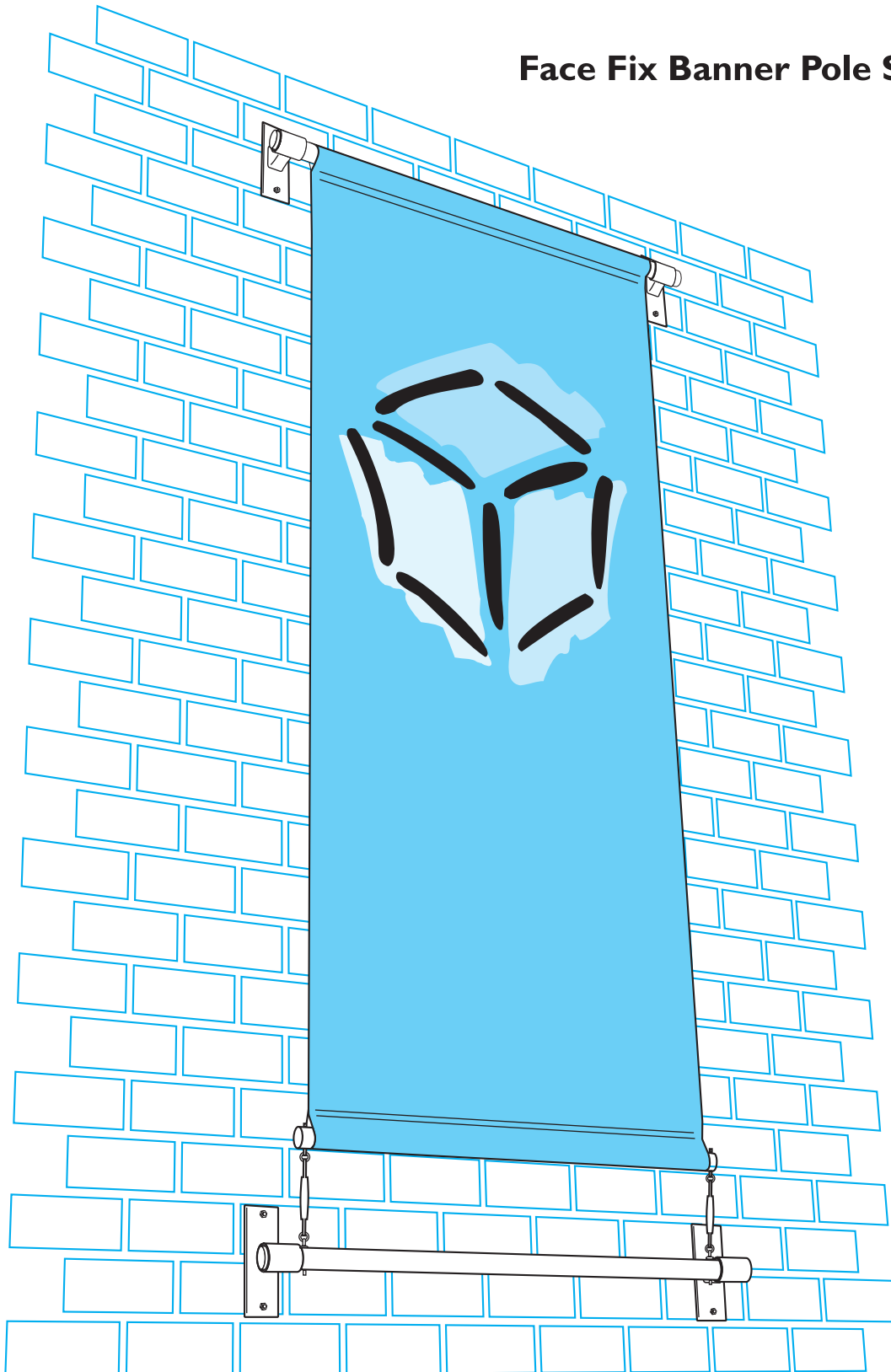


Heavy Duty Systems

Banner Poles

Face Fix Banner Pole System



Heavy Duty Systems

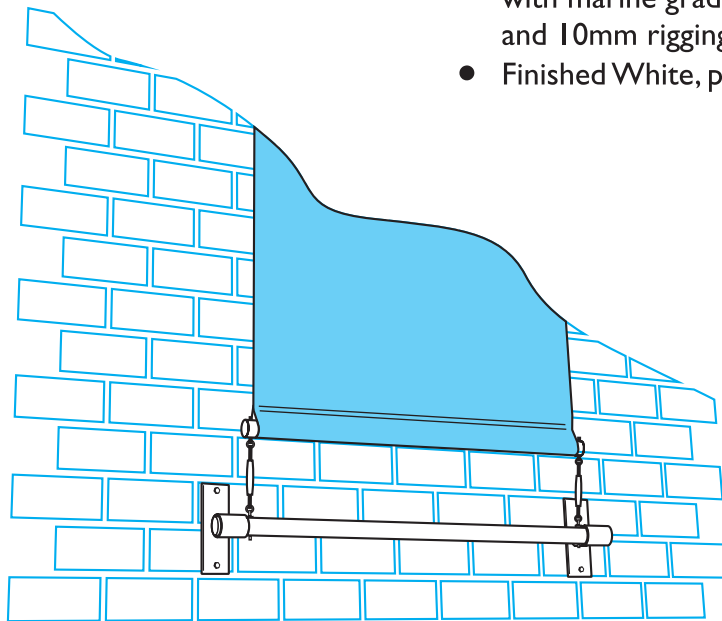
Banner Poles

Face Fix Banner

The face Fix system is an increasingly popular exterior promotional tool, commonly used on free wall spaces and gable ends. The system enables large banners to be secured flat to the wall with the ability to change and tension the banners easily. Features Heavy Duty steel brackets with pre-drilled 16mm fixing holes, 60mm aluminium cross bars, tension bar and stainless steel rigging screws and fittings. Banners are quickly installed and changed by sliding onto the cross bars and tightening the rigging screws.

End fittings available:

- Bracket size 100mm x 300mm with 16mm diameter holes
- Arm 60mm diameter aluminium, fitted with collars and end caps
- Tension Bar 60mm diameter aluminium with marine grade stainless steel fittings and 10mm rigging screws
- Finished White, powder-coated



Heavy Duty Systems

Banner Poles

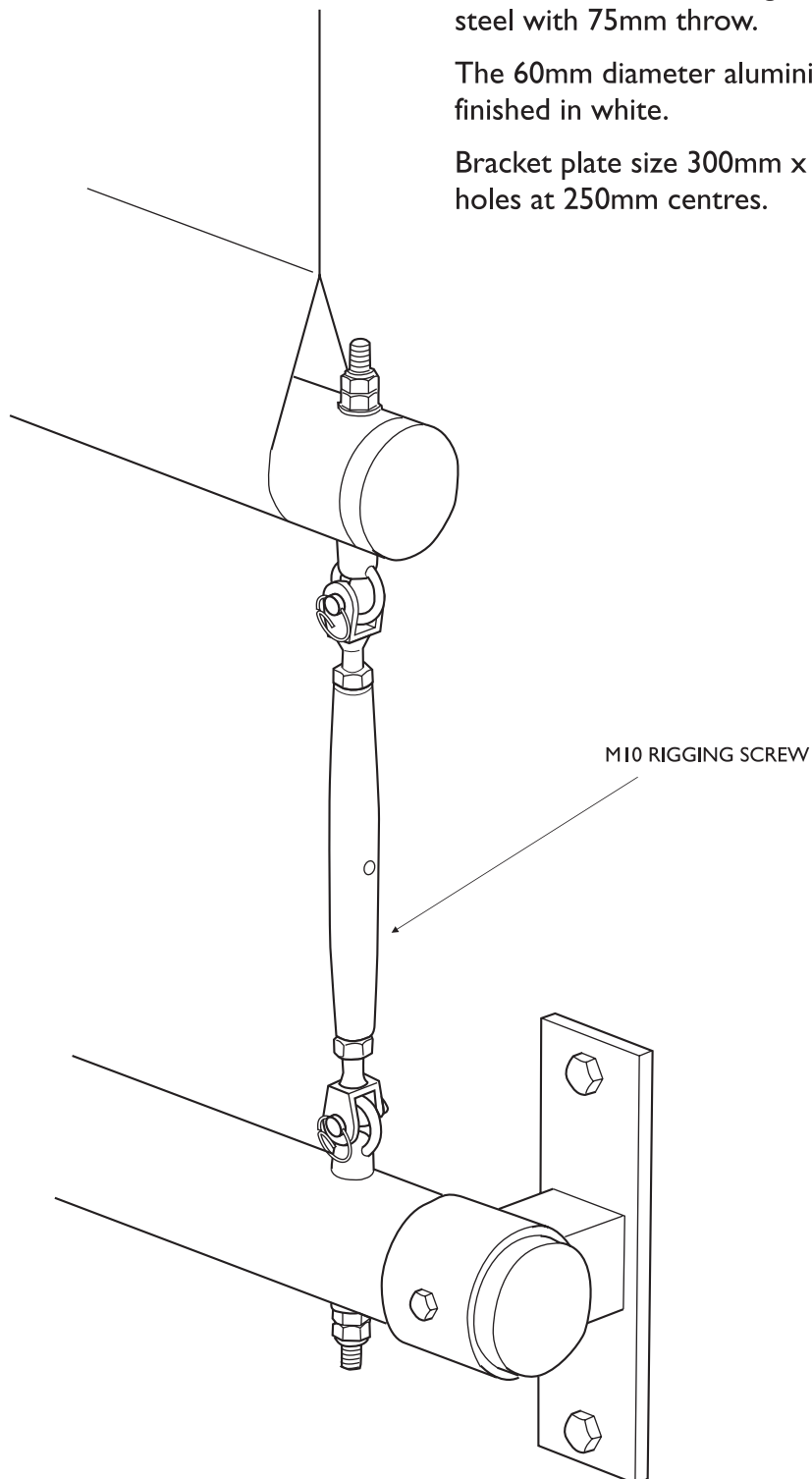
Face Fix Systems - Tensioner

Suitable for wall mounted PVC banners up to 2.5m wide.

Brackets made from tough white painted steel with 75mm throw.

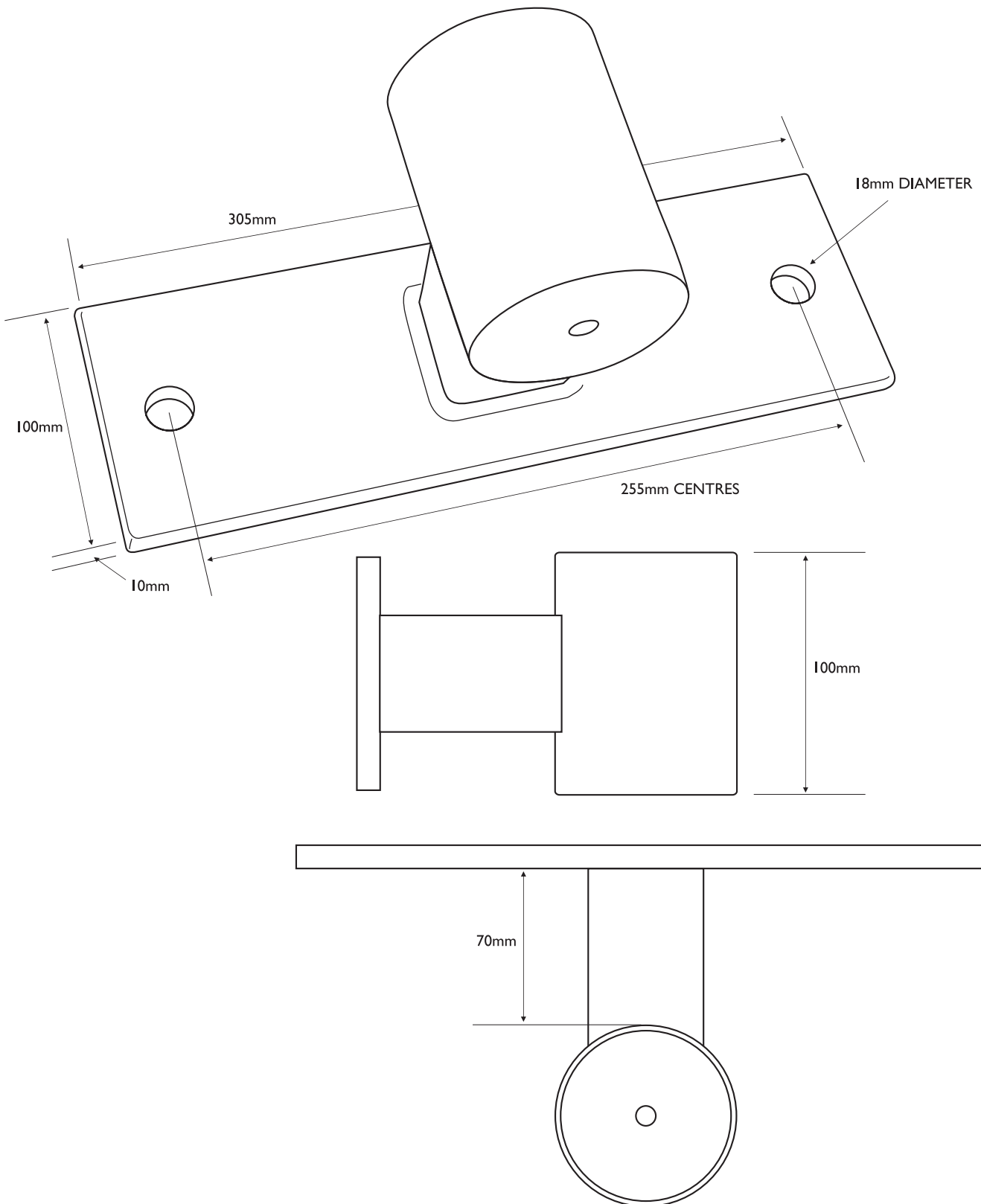
The 60mm diameter aluminium poles are finished in white.

Bracket plate size 300mm x 100mm, 16mm holes at 250mm centres.



Heavy Duty Systems Banner Poles

Heavy Duty Bracket (Stopped end)



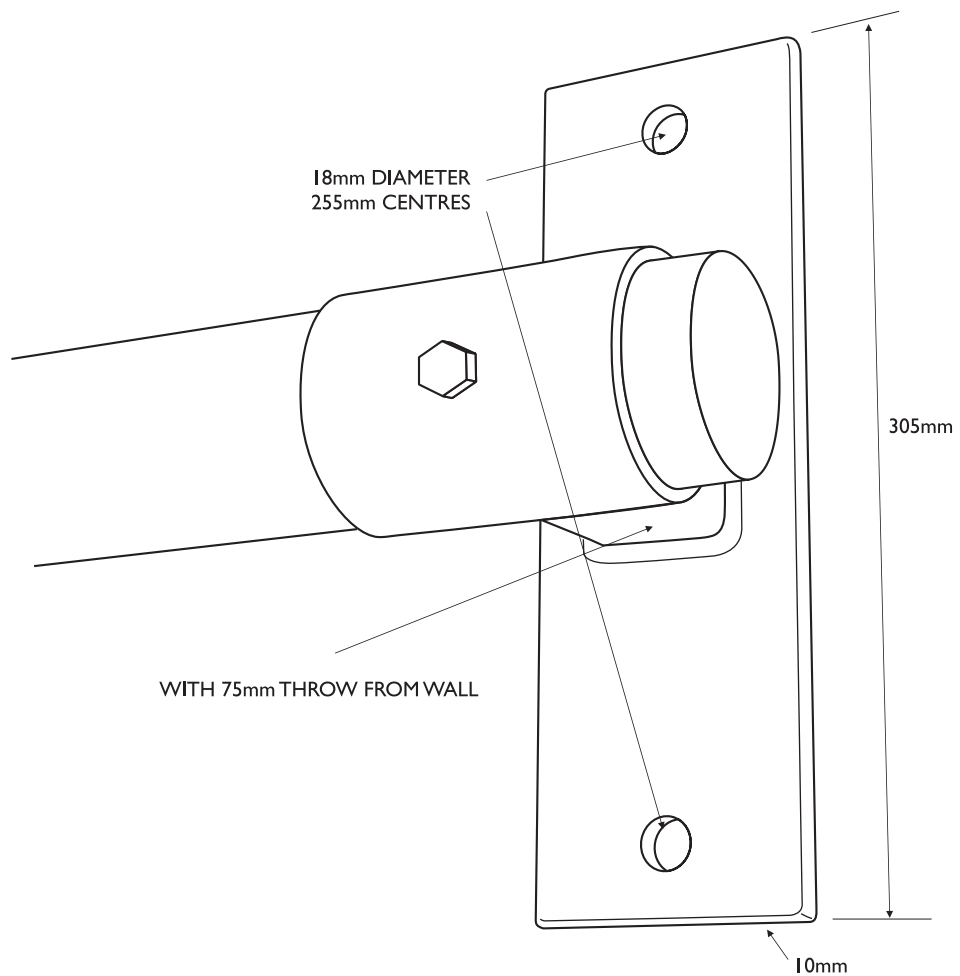
Heavy Duty Systems

Banner Poles

Face Fix System

Comprises:

- 4 brackets
- 2 Poles
- 1 Tensioner pole



Face Fix System

- To take 1m wide banner
- To take 1.5m wide banner
- To take 2m wide banner
- To take 2.5m wide banner