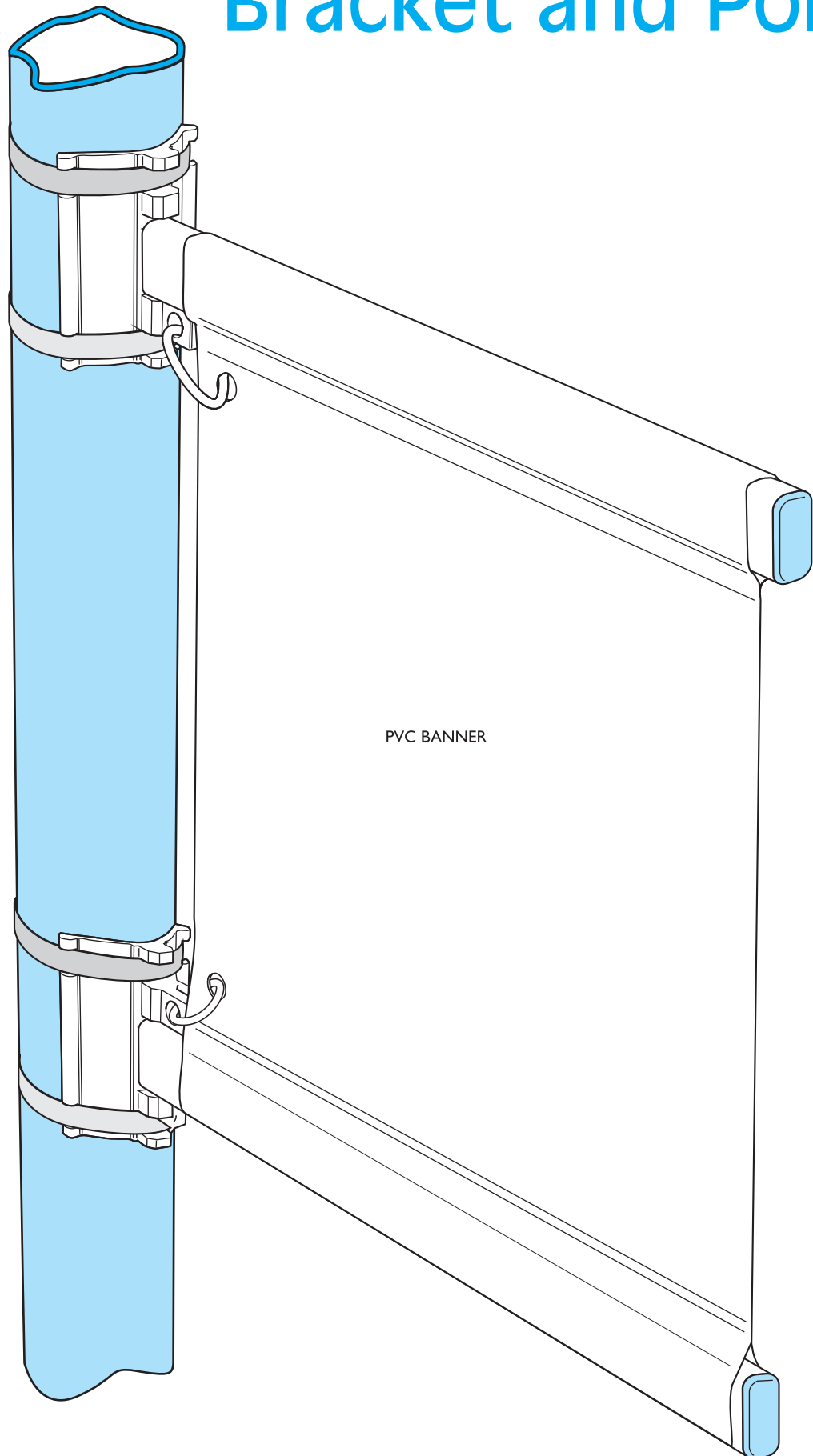


Lamp Post Mountings

Bracket and Pole



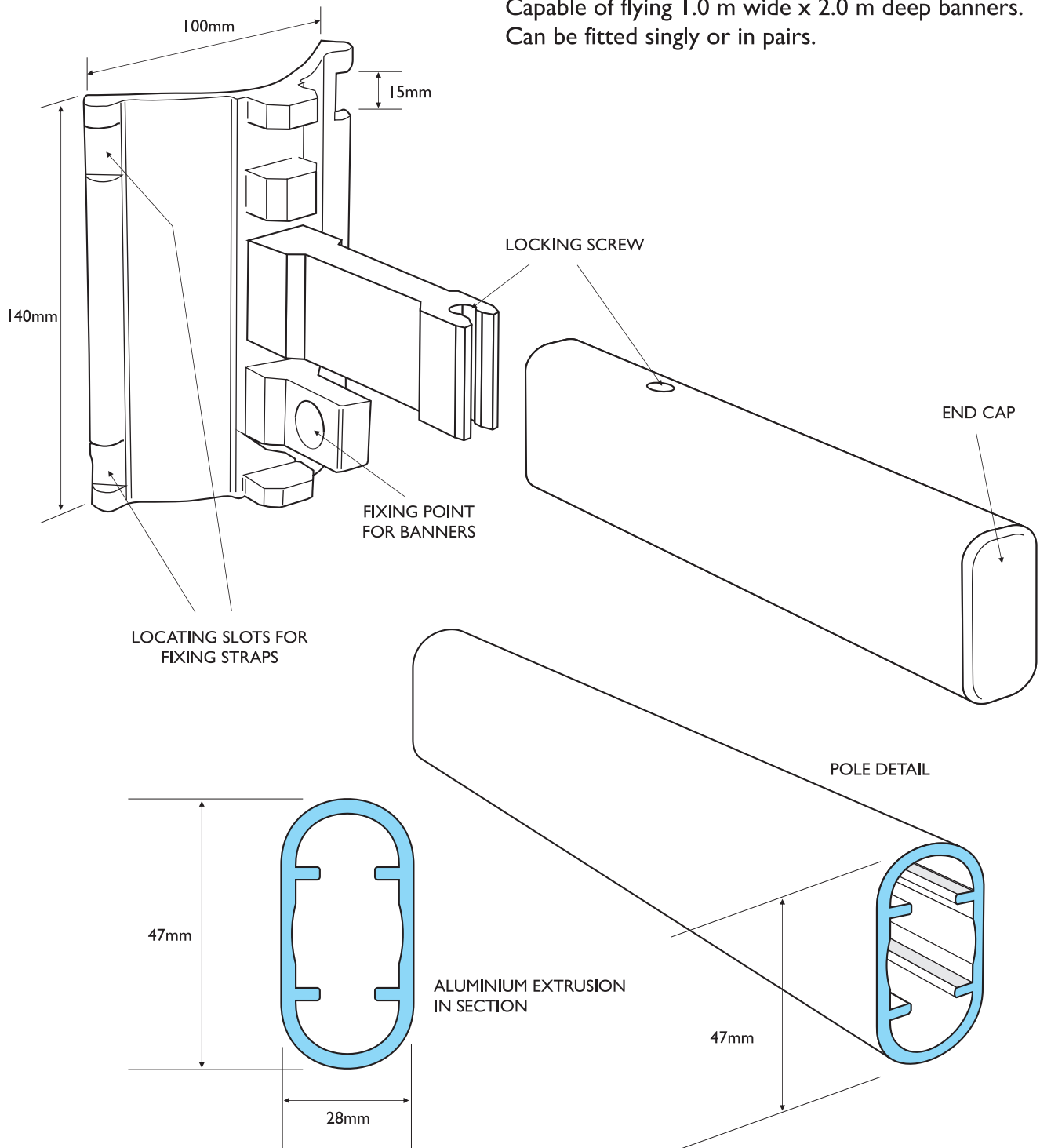
Lamp Post Mountings

Bracket and Pole

Versatile, high strength aluminium bracket that fits most posts.

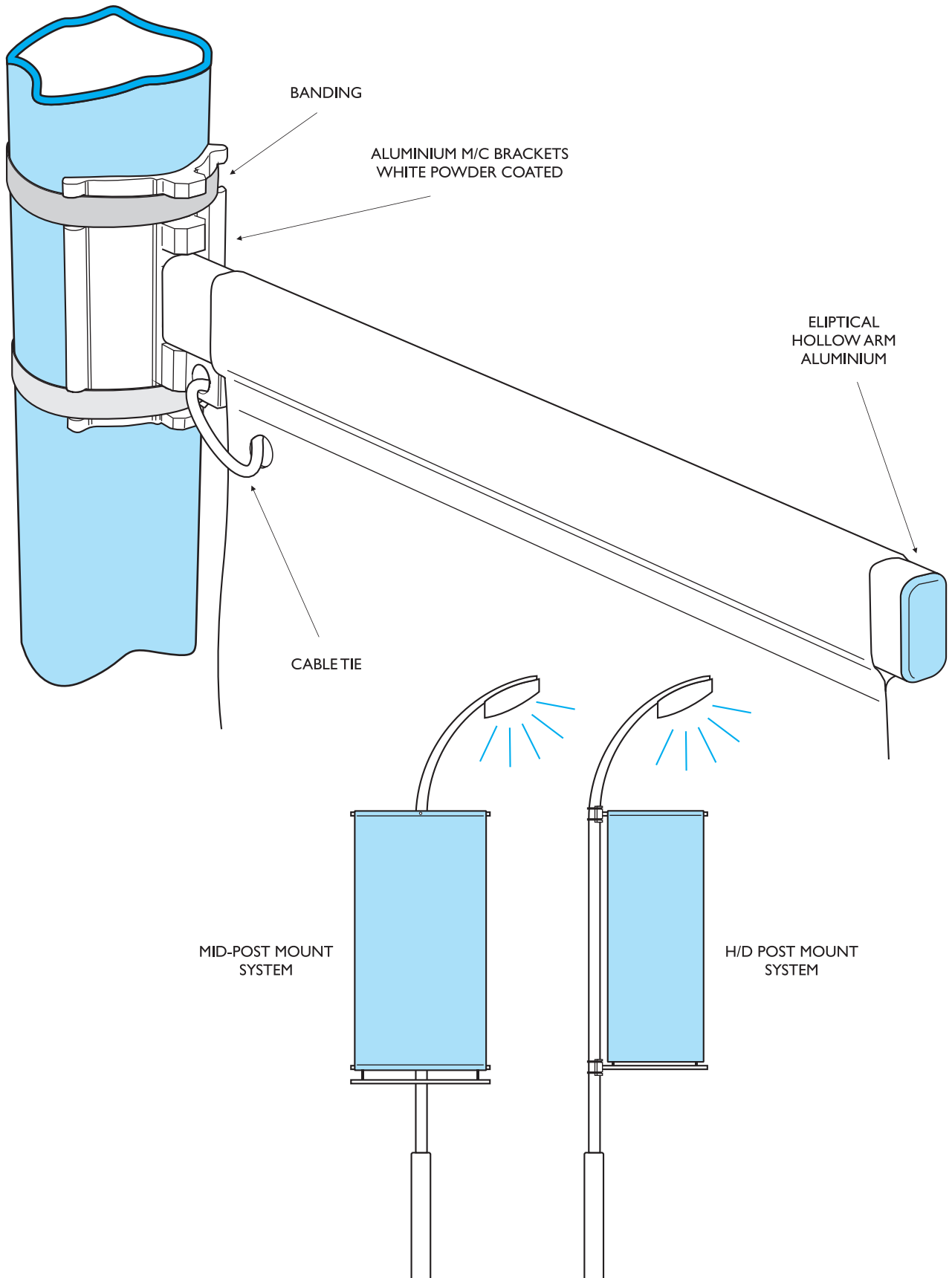
Machined spigot which snugly fits the elliptical aluminium arm with a domed end cap.

Capable of flying 1.0 m wide x 2.0 m deep banners.
Can be fitted singly or in pairs.



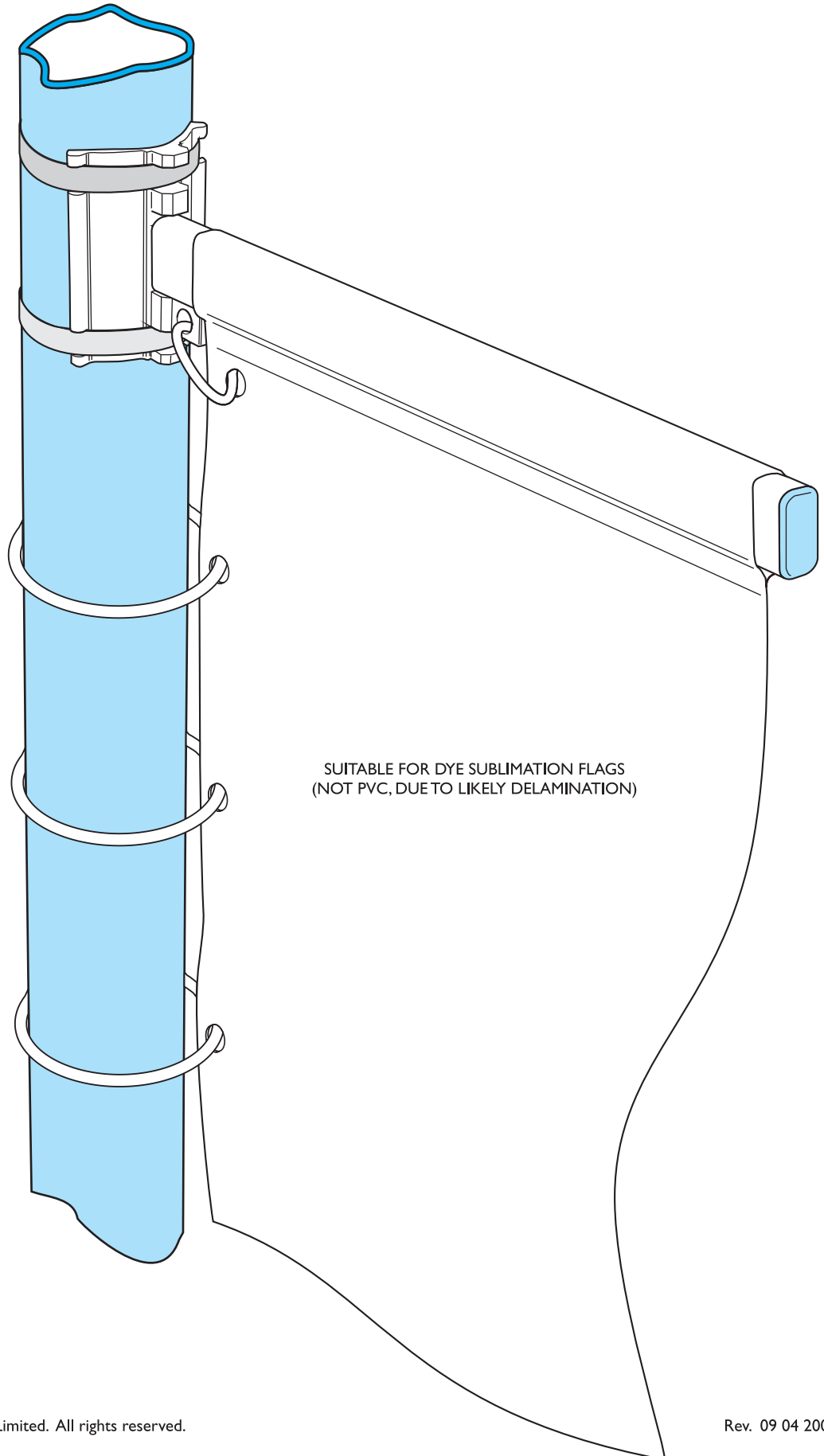
Lamp Post Mountings

Bracket and Pole



Lamp Post Mountings

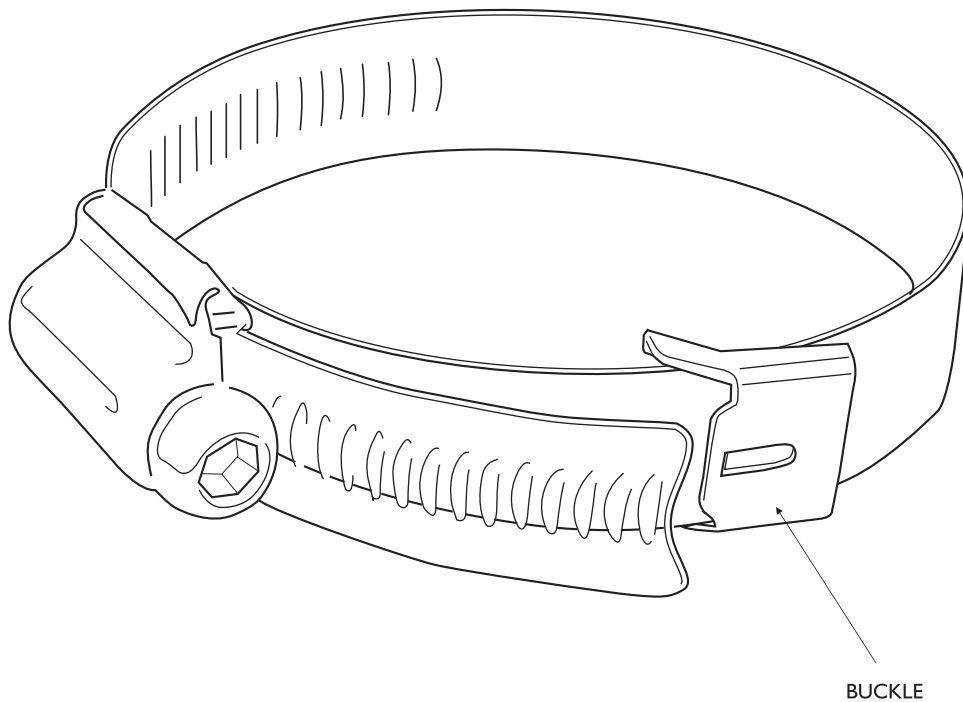
Single Bracket and Pole



Lamp Post Mountings

Universal clip fixing

Stainless steel 'universal' clip for fitting Lamp Brackets to circular posts



Post Diameter
50-70mm
70-100mm
100-130mm
130-190mm
190-250mm
250-340mm
Drill bit tool