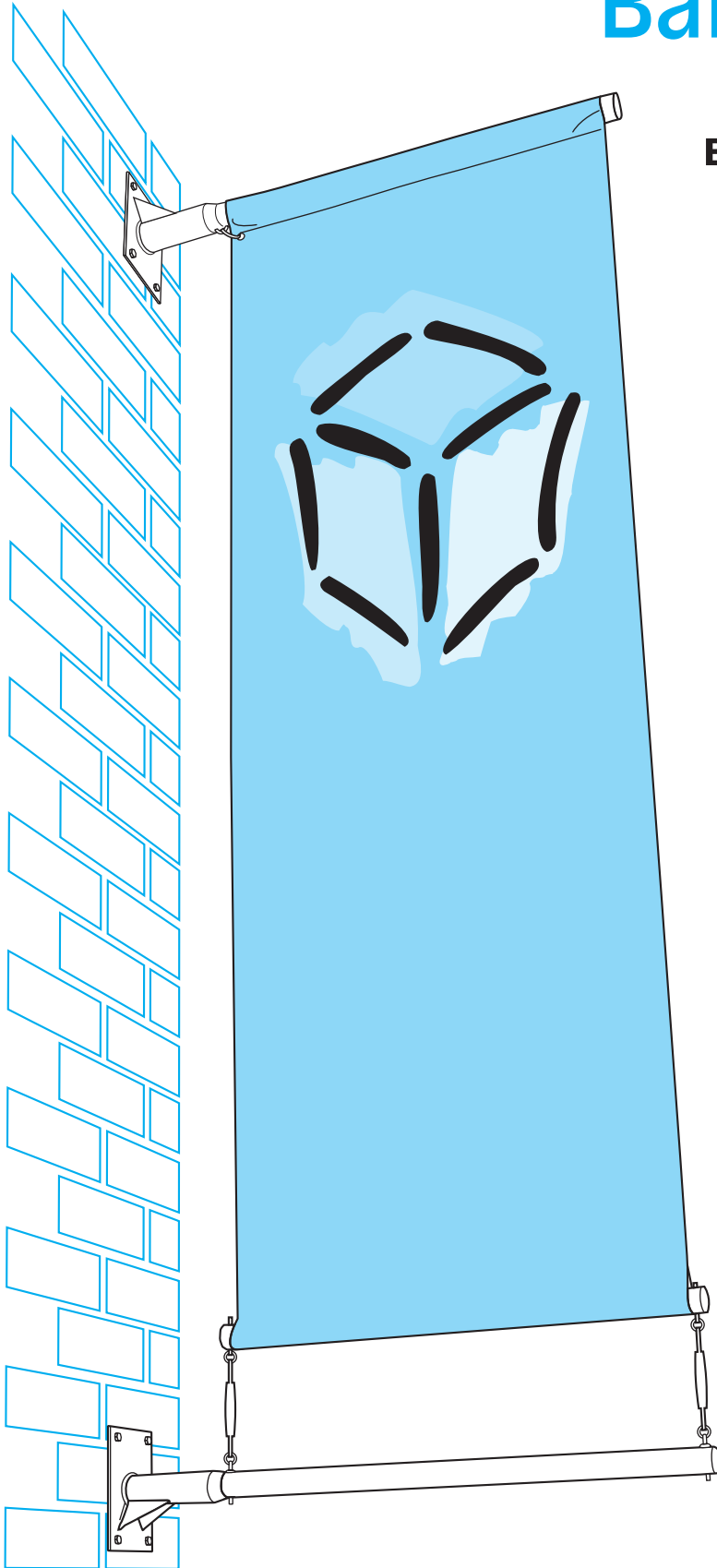


# Heavy Duty Systems

## Banner Poles



### Banner Supports

- Banner bracket and poles suitable for outdoor use PVC banners
- Welded steel brackets and aluminium poles in 60mm tube – gloss finished in white
- Bracket plate size 200mm x 300mm c/w holes
- End caps are available as:
  - (i) Plain domed
  - (ii) Gold finial
  - (iii) Plain end cap
- For exceptionally deep banners, intermediate supports are recommended
- A tensioner is always recommended with the Heavy Duty Systems
- Stay wires are available for additional support
- All fittings are stainless steel

# Heavy Duty Systems

# Banner Poles

## Complete System

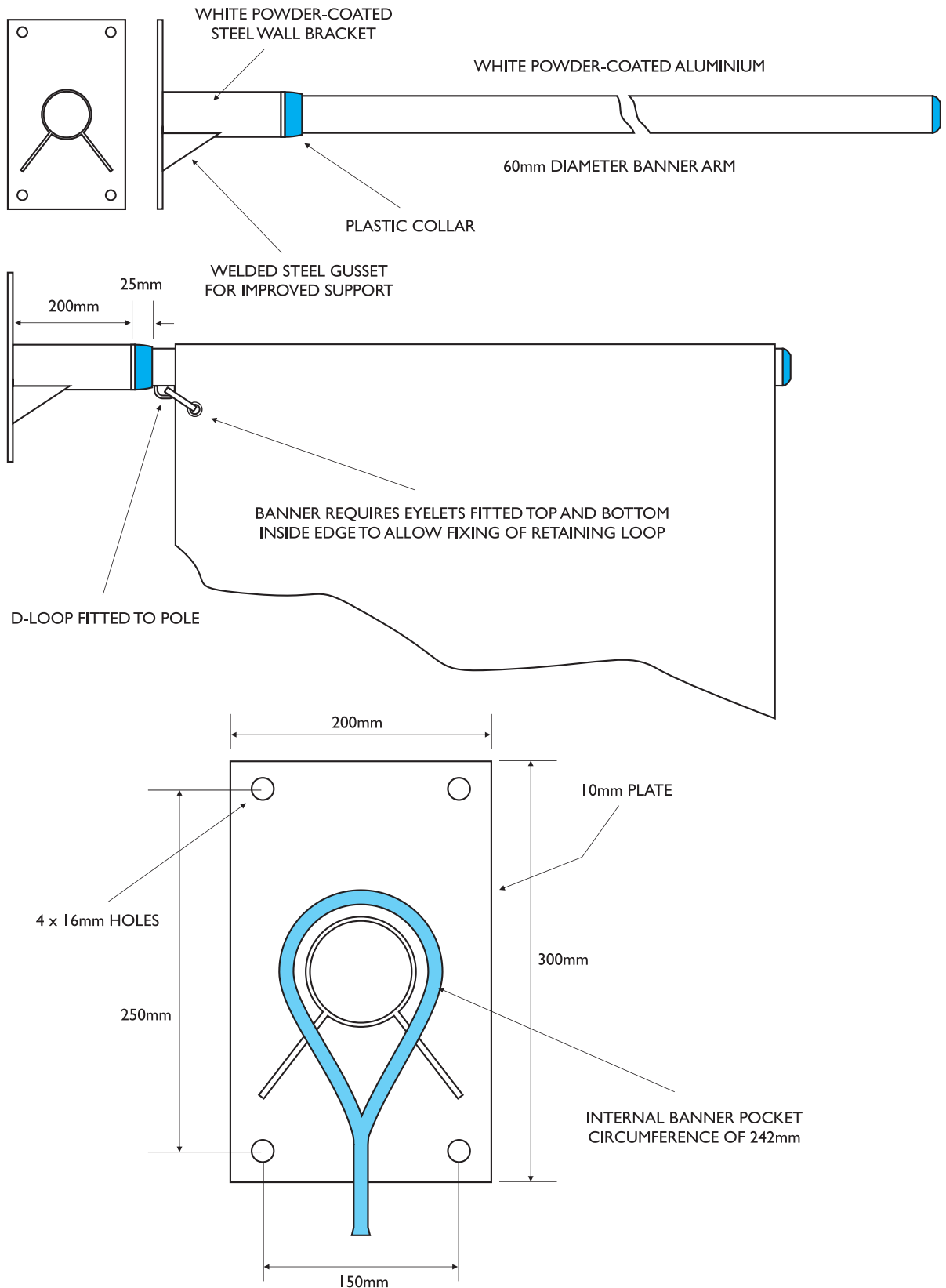
- Top pole and bracket
- Bottom pole and bracket
- Tensioner

Options
ACCESSORIES
Additional pole and bracket
Tensioner
Stay Wires
White Domed End Cap
Gold Finial

Complete System
BANNER WIDTH
500mm
1000mm
1500mm

# Heavy Duty Systems

## Pole and fitting details



# Heavy Duty Systems

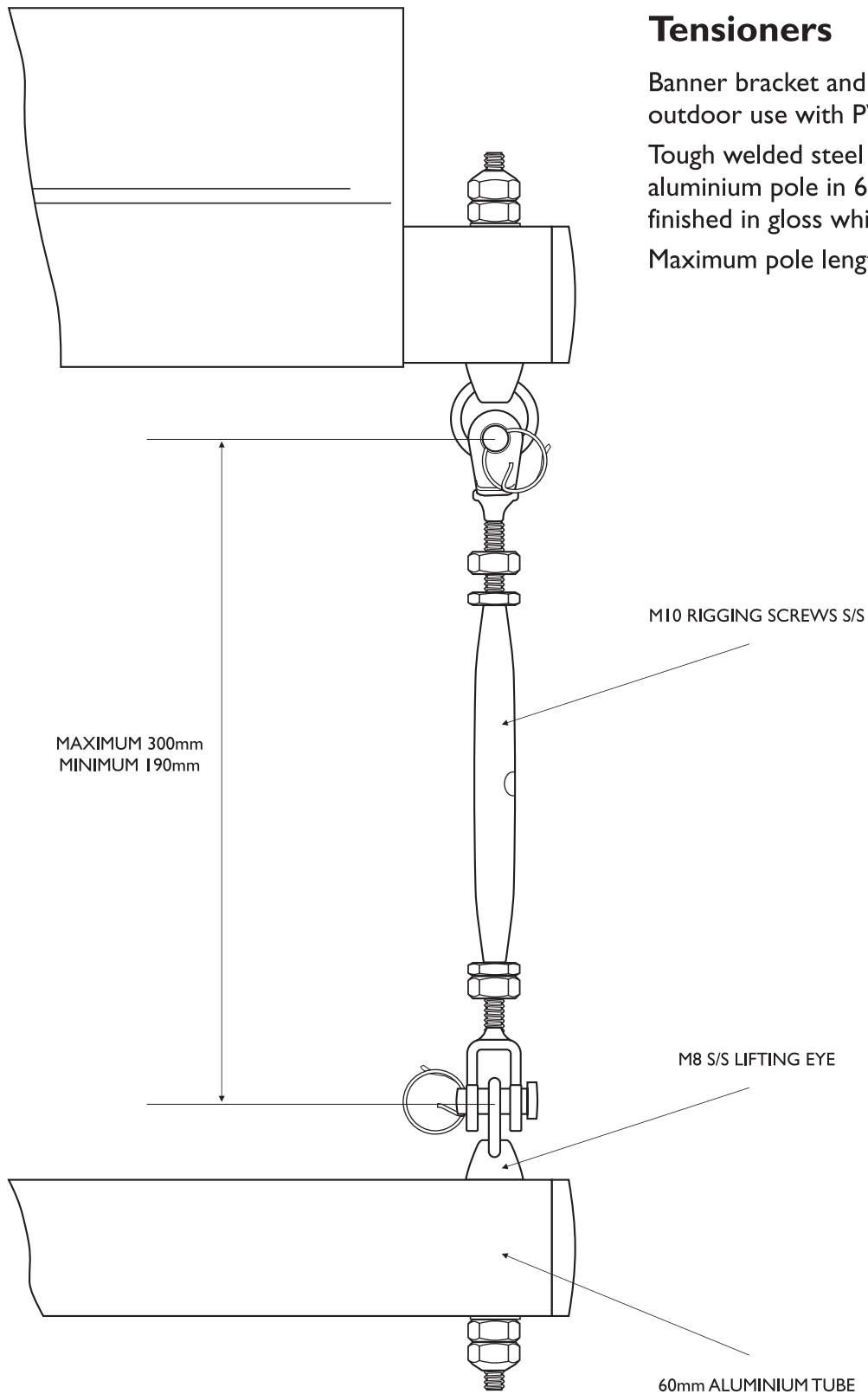
## Banner Poles

### Tensioners

Banner bracket and pole suitable for outdoor use with PVC banners.

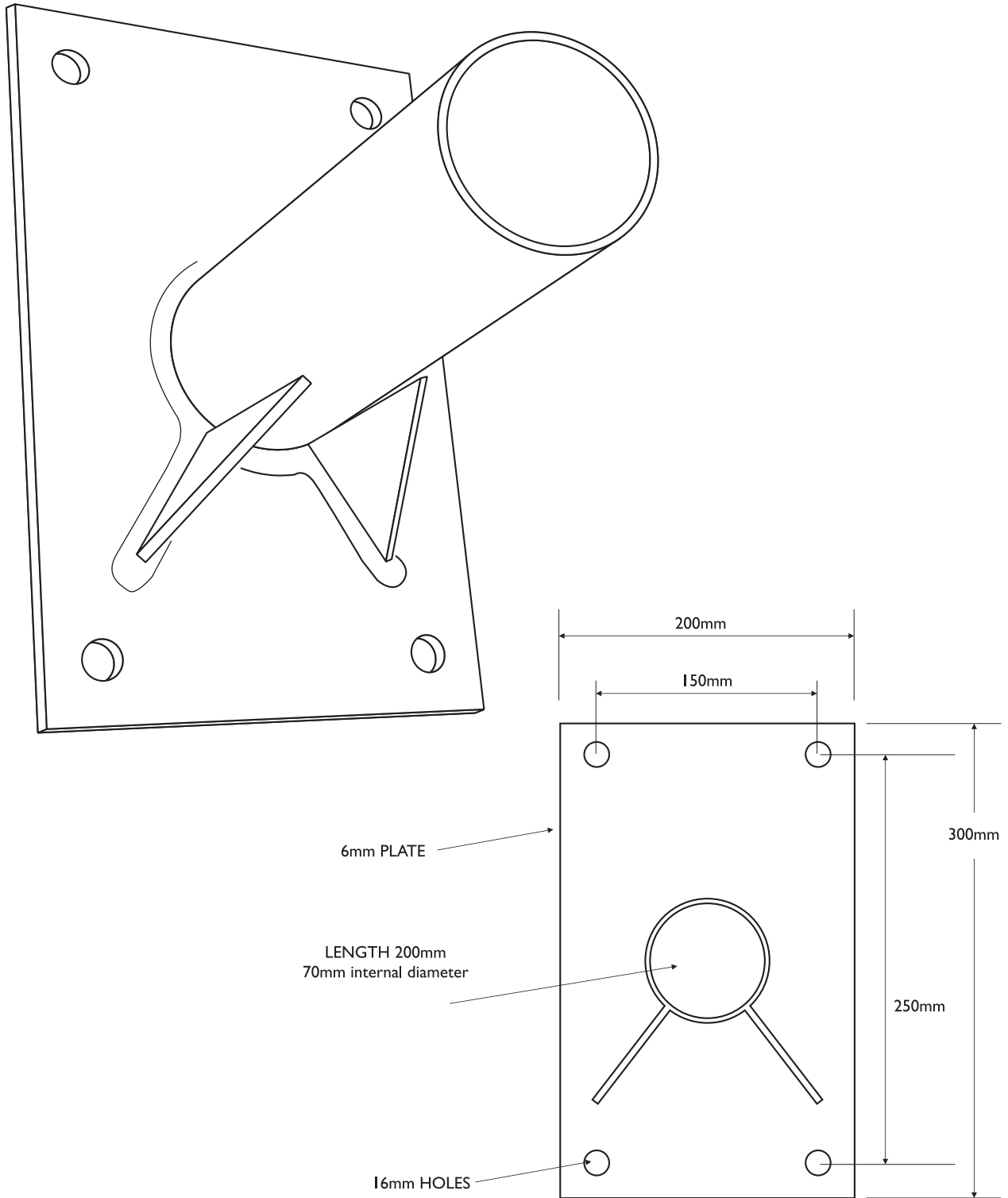
Tough welded steel bracket, aluminium pole in 60mm tube. Both finished in gloss white.

Maximum pole length 1.5m.



# Heavy Duty Systems Banner Poles

## Heavy Duty Bracket



# Heavy Duty Systems

## Banner Poles Stay Wires

For deep banner drops on exposed sites, Stay Wires and Tension Screws are available as optional extras to give greater support to the banner arms.

All fittings are in high quality stainless steel.

