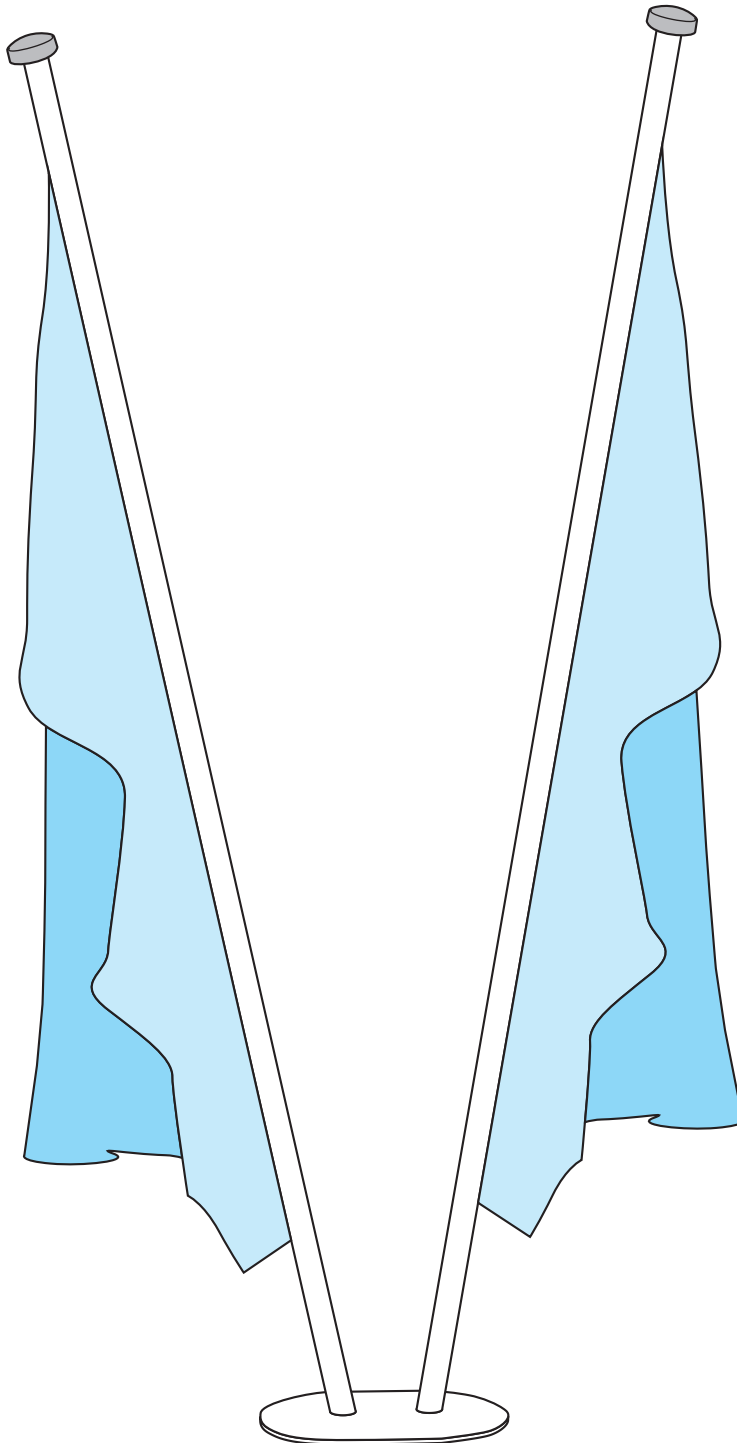


# Indoor Display Systems

## Indoor flagpoles

For exhibitions, hotels, clubs and for regimental, ceremonial and corporate use.

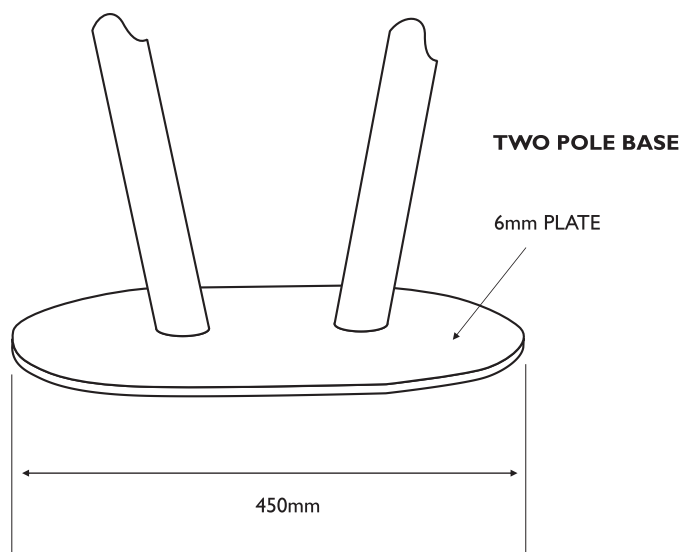
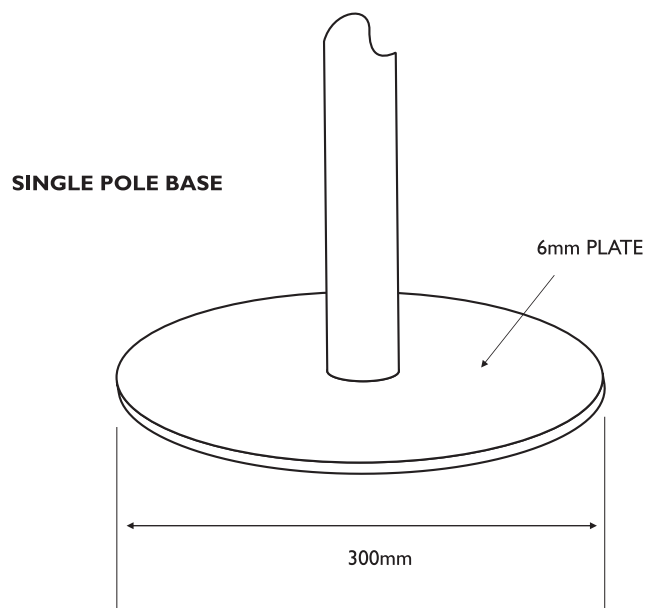
The range features heavy steel bases for stability and are capable of supporting as many as five individual flag poles.



# Indoor Display Systems

## Indoor flagpoles

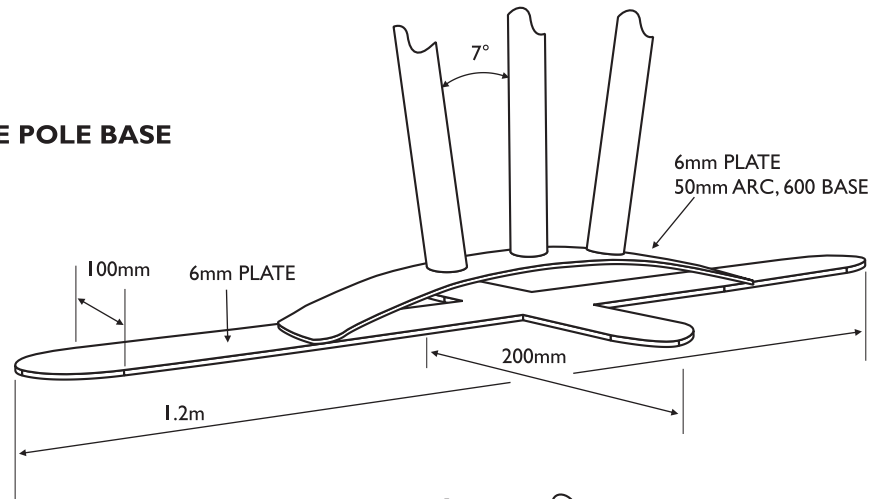
- Available in a white or black finish
- Range of finials available
- Pole heights from 1.5m to 3m
- As specified for UK citizenship ceremonies



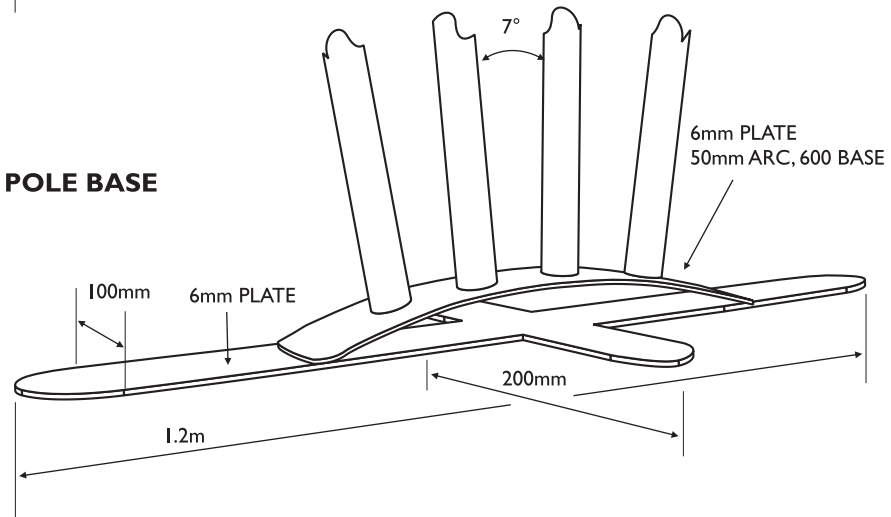
# Indoor Display Systems

## Indoor flagpoles

**THREE POLE BASE**



**FOUR POLE BASE**



**FIVE POLE BASE**

