

Banner Display Frames

Overhead banner frames

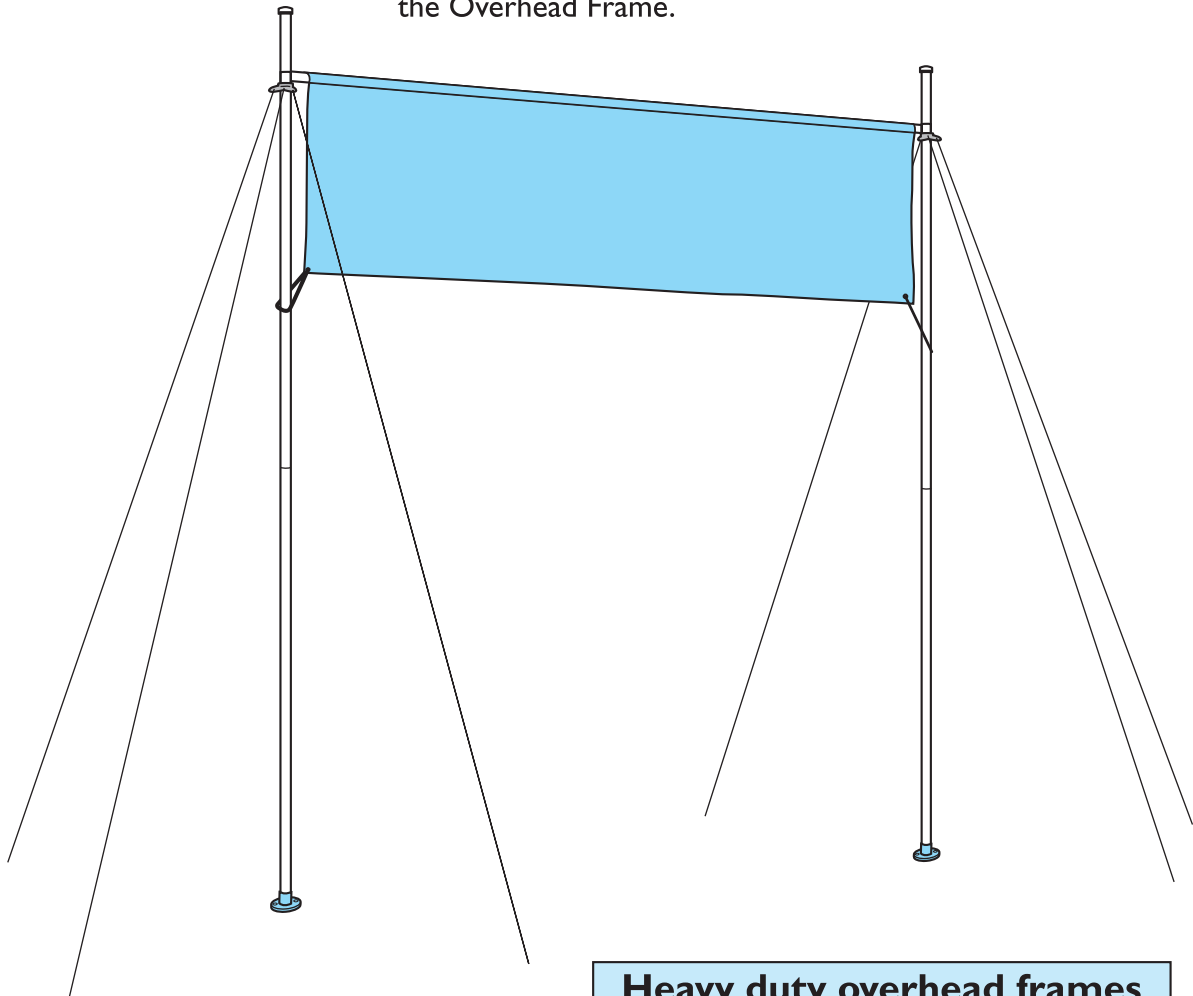
Maximum banner height is 3ft

If you need your message to stand head and shoulders above the rest, the Overhead Banner Frame is an ideal solution.

Manufactured from 44.5mm diameter anodised aluminium tube with machined aluminium joints, this sturdy frame is anchored to the ground with base spikes, guy ropes and heavy duty pegs.

The Overhead Banner Frame can be supplied in Single Span (banners up to 12ft x 3ft) or Double Span (banners up to 22ft x 3ft).

To ensure your prominently-positioned banner looks its best throughout the event, the banner is sleeved on to the cross bar of the Overhead Frame.



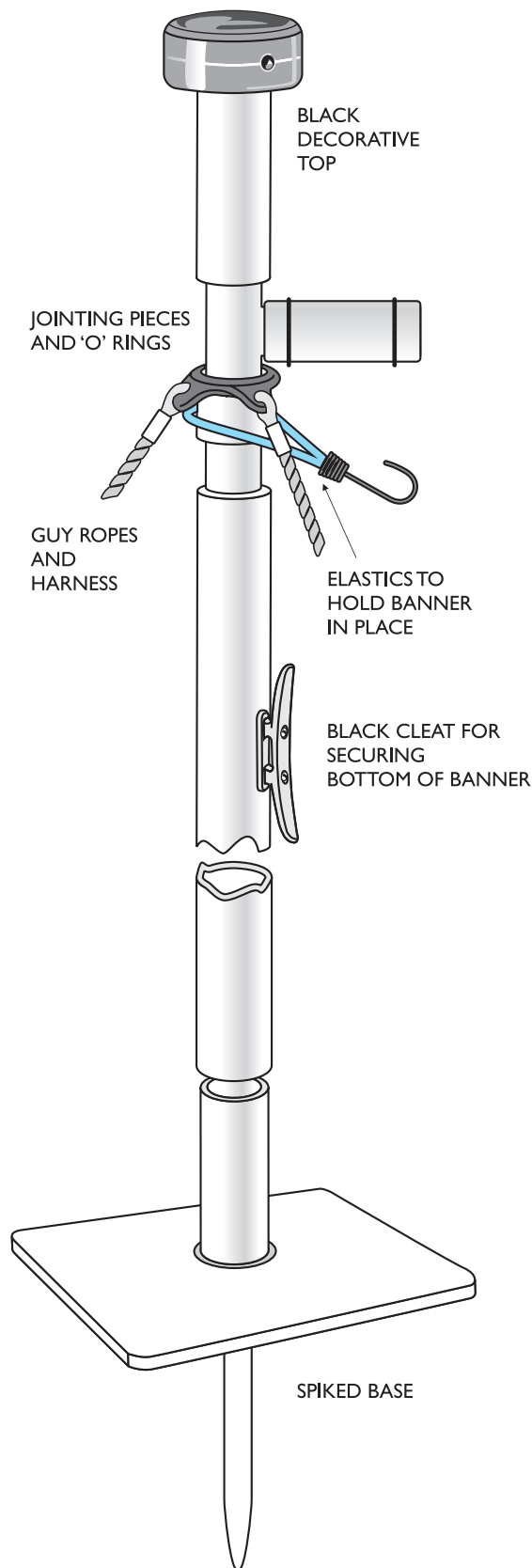
Heavy duty overhead frames

DESCRIPTION

Single span	3660mm
Banner width	3600mm
Double span	6710mm

Outdoor Elevated Banner Display Frames

Overhead banner frames



Stand out above the rest

Made from anodised aluminium 44.5mm diameter tube. Machined aluminium joints fitted with rubber 'O' rings for strength and easy fit.

Frame anchored to the ground with spiked bases, guy ropes and heavy duty pegs. All fittings are included together with carrying bags for ease of storage and transport.

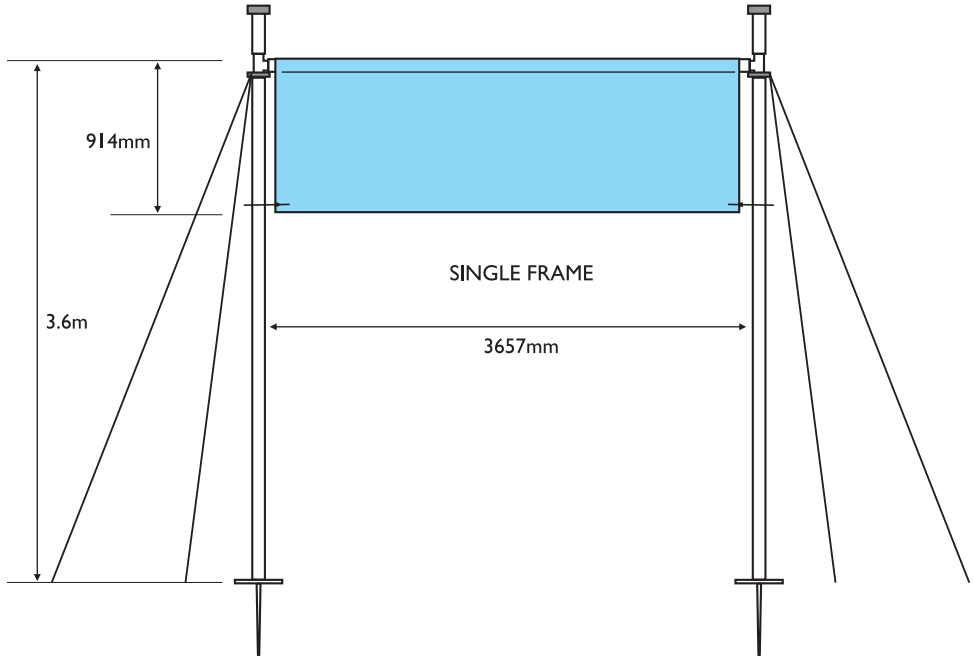
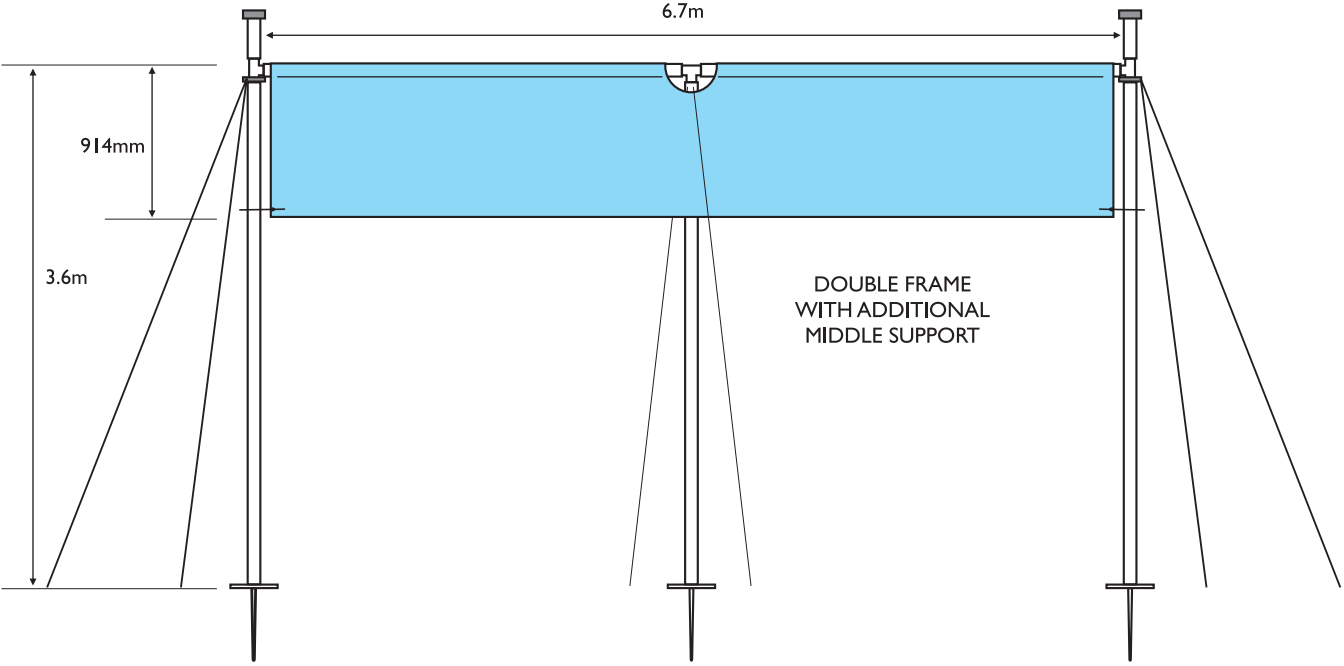
Fits easily into the back of a car.

Frame can be 'single' and display a banner up to 12ft x 3ft (3657mm x 914mm). or 'double' and display a banner of up to 22ft x 3ft 6.706m x 0.914m

Banner is sleeved onto the cross bar to maintain its shape and line.

Outdoor Elevated Banner Display Frames

Overhead banner frames



Outdoor Banner Display Frames

Soft Earth Spikes

