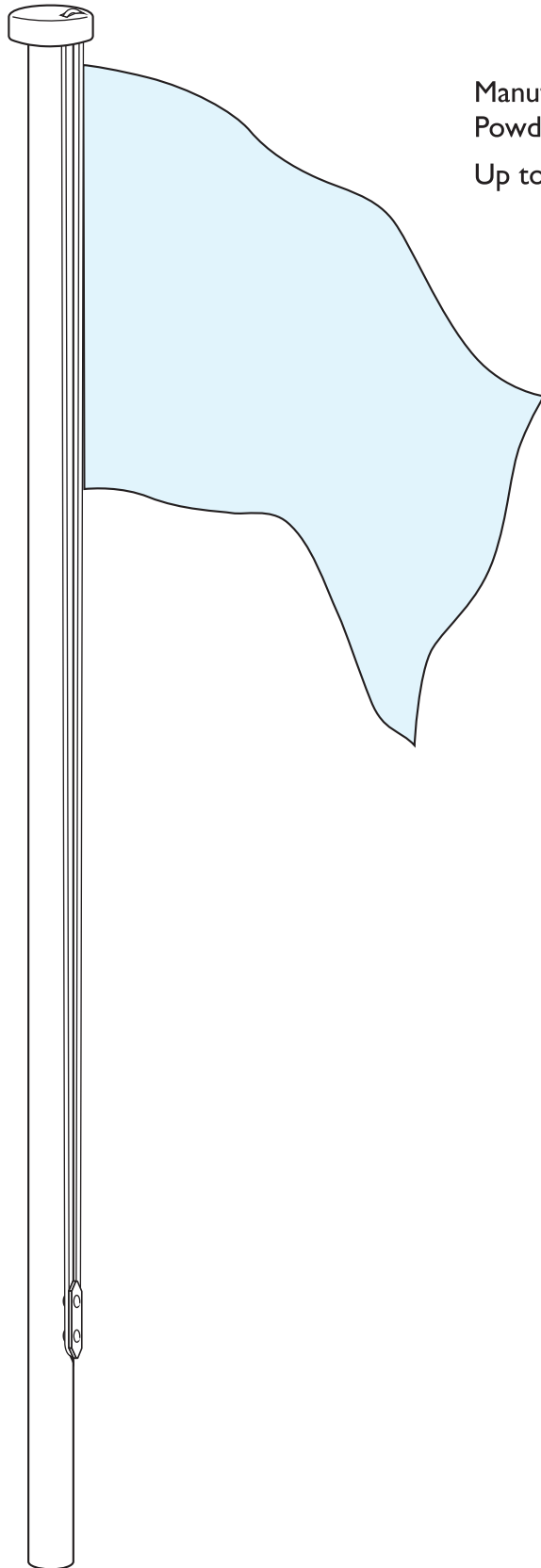


# Short White Wall Mounted Flagpoles

## The Pole

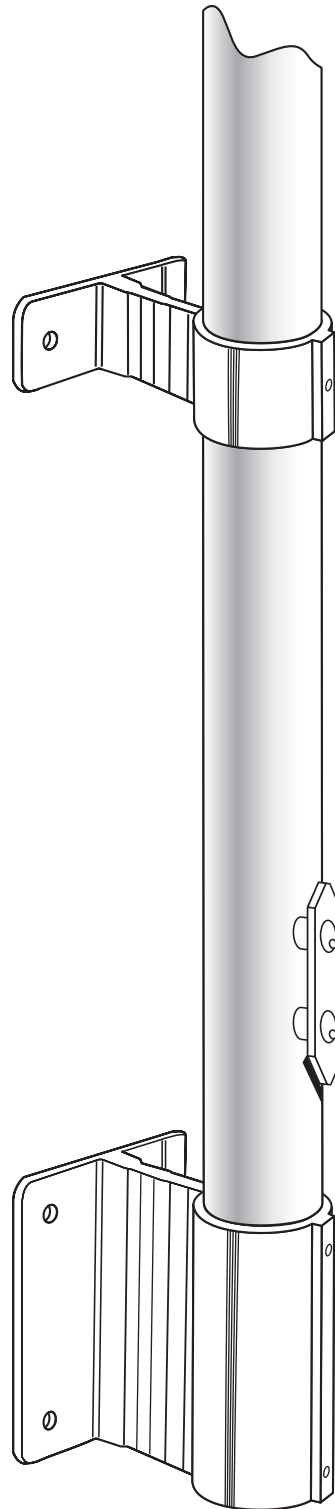


Manufactured from High Grade Aluminium,  
Powder Coated White 44.5mm O/D Tube.  
Up to 3m poles (Max.)



# Short White Wall Mounted Flagpoles

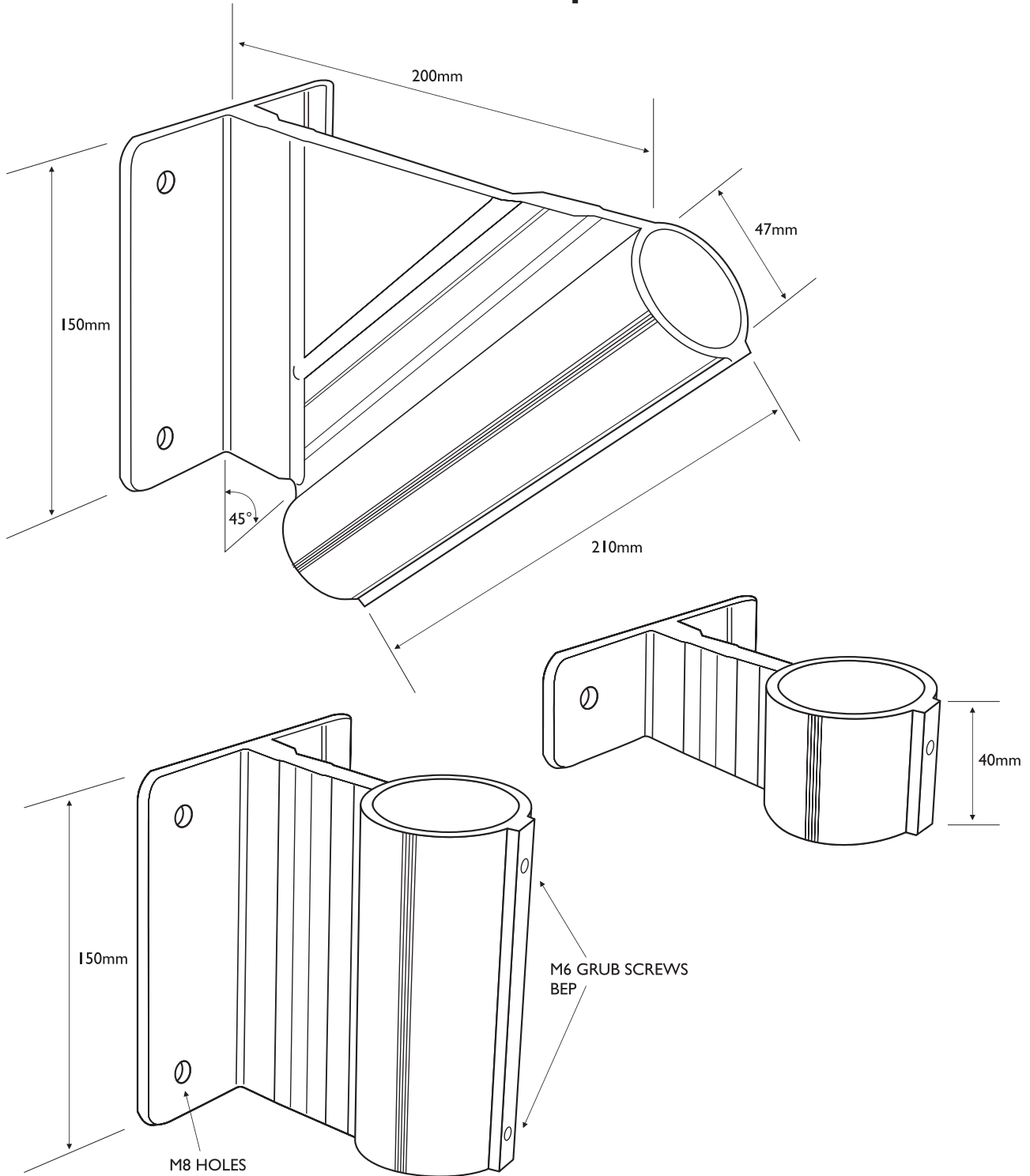
## Aluminium Vertical brackets



# Short White Wall Mounted Flagpoles

## Lightweight brackets

White powder coated aluminium



### POLES

TO SUIT 1.5M POLES  
TO SUIT 2.5M POLES  
TO SUIT 3.0M POLES

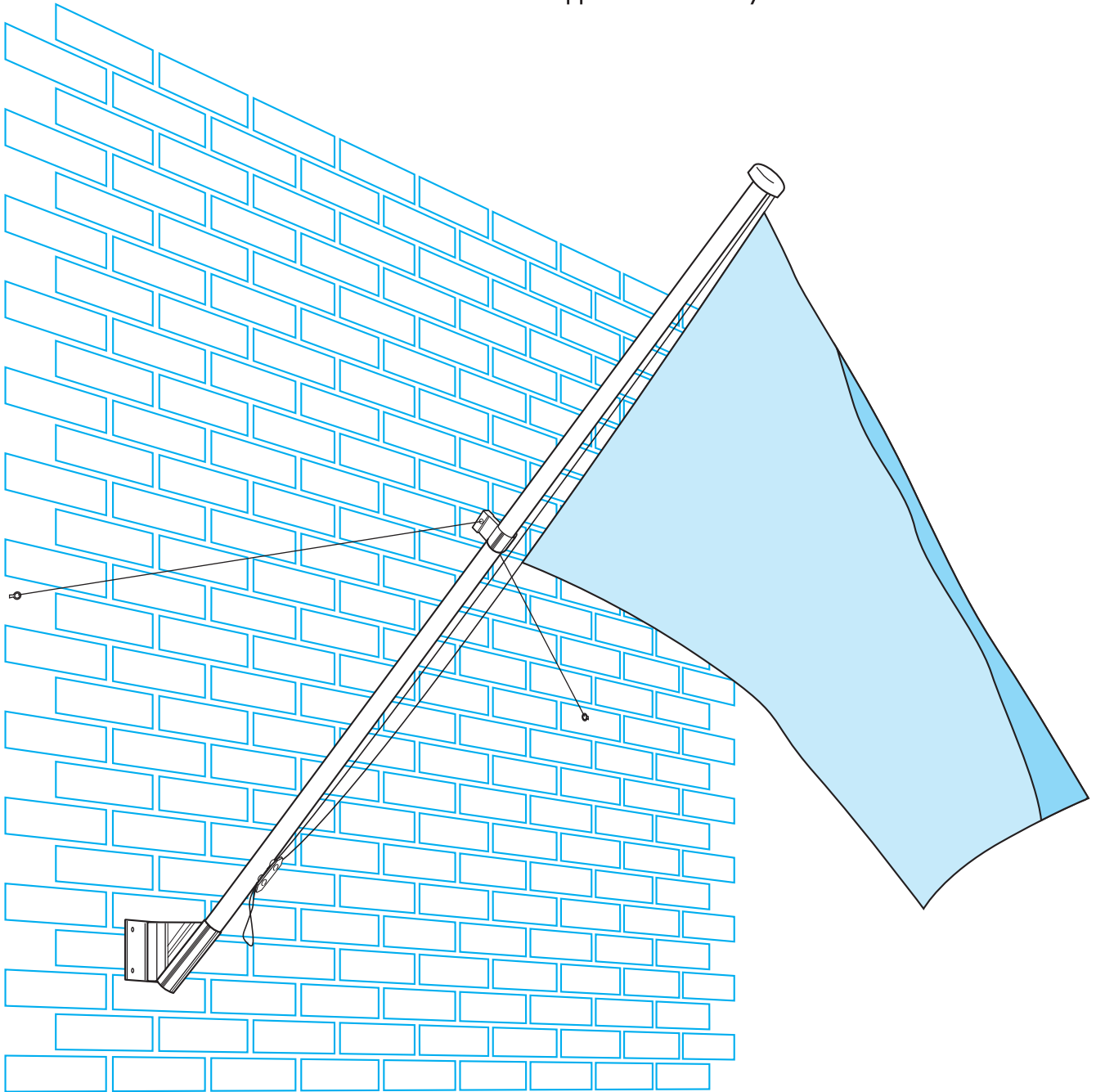
# Short White Wall Mounted Flagpoles

## Lightweight Angled

The ideal way to mount national, corporate and advertising flags to buildings.

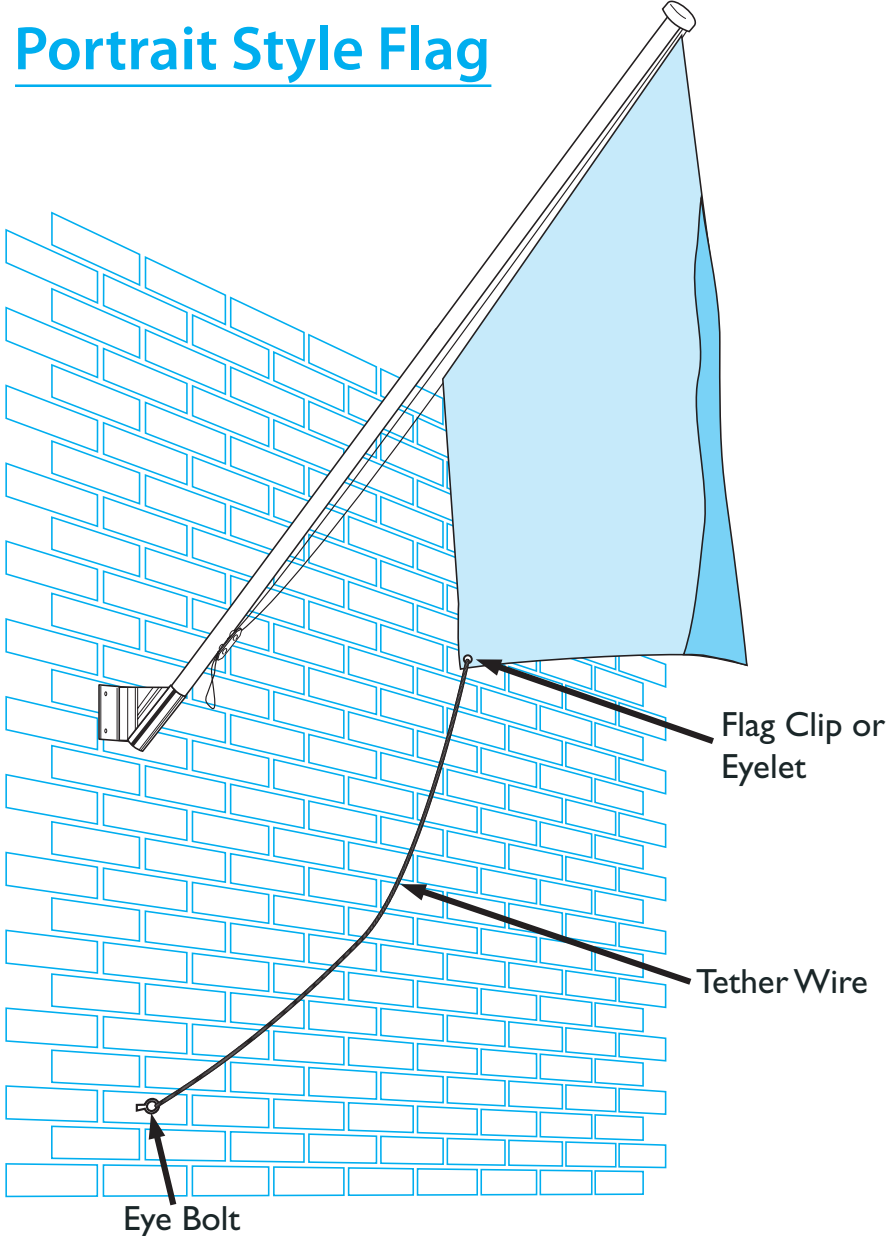
Standard Duty poles are 45mm diameter and are available in four lengths (1.5m to 3m).

The 2.5m and 3m poles are supplied with stay wires for extra support and security.



# Tether Wire - Diagram Sheet

## Portrait Style Flag



## Landscape Style Flag

