

Banner Display Frames

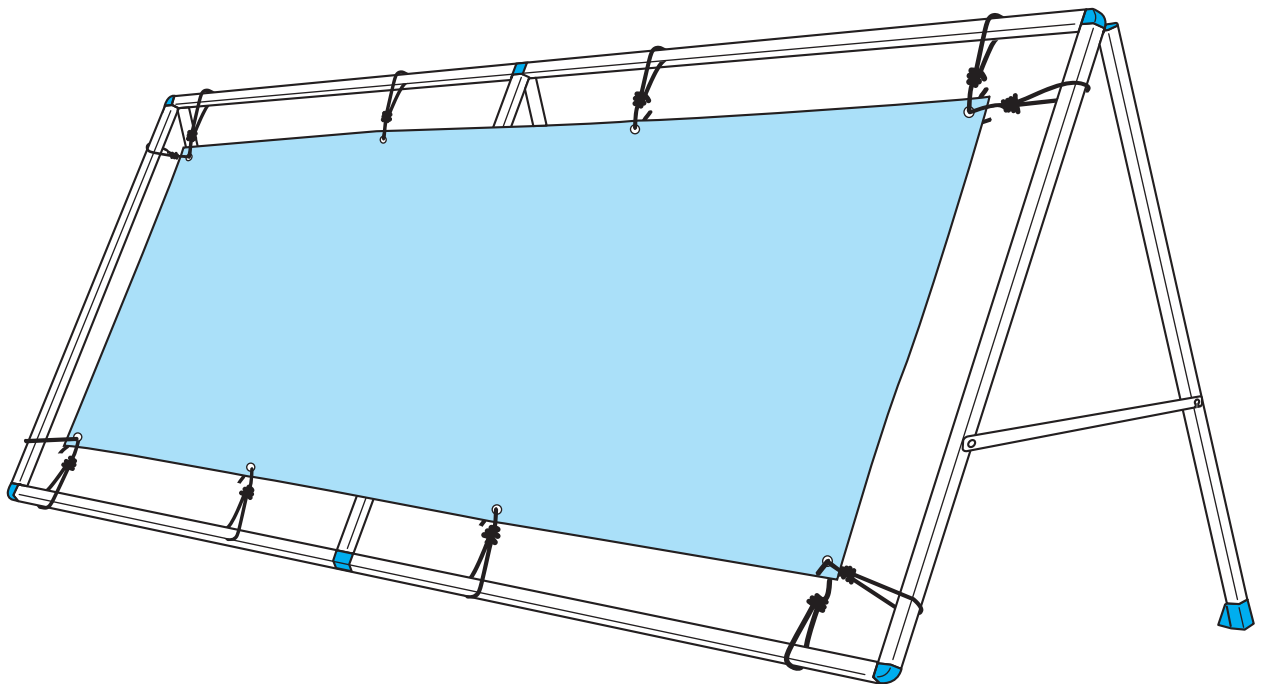
Portable and Permanent

The JMS range of banner frames offers a high-quality solution for any location or event – and because we manufacture, requests for unusual or non-standard types of frames are welcome.

We do our best to provide a first-class answer.

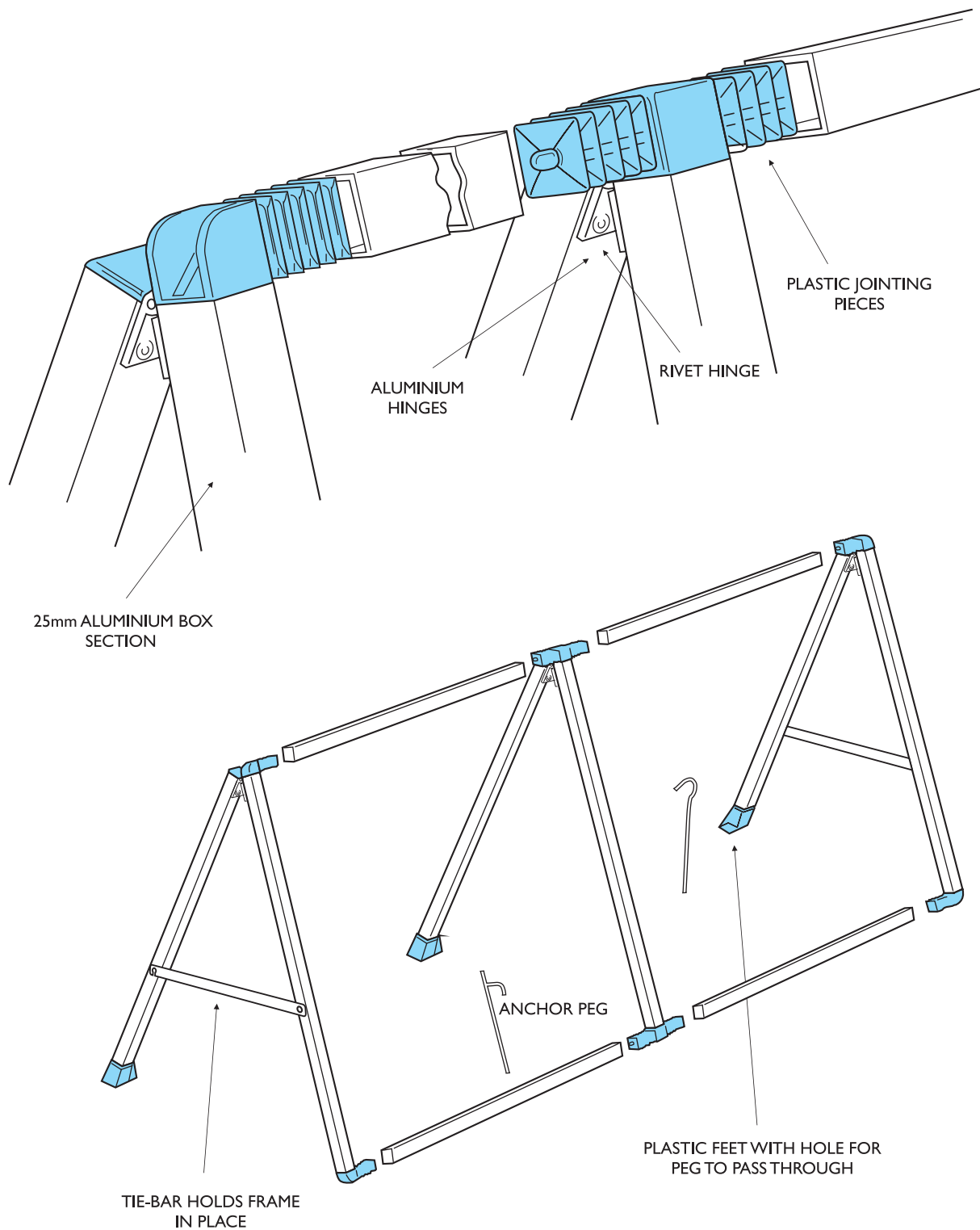
Factors we need to know

- Standard duty?
- Heavy duty?
- Single sided?
- Double sided?
- Softstanding?
- Hardstanding?
- Temporary bases?
- Permanent installations?



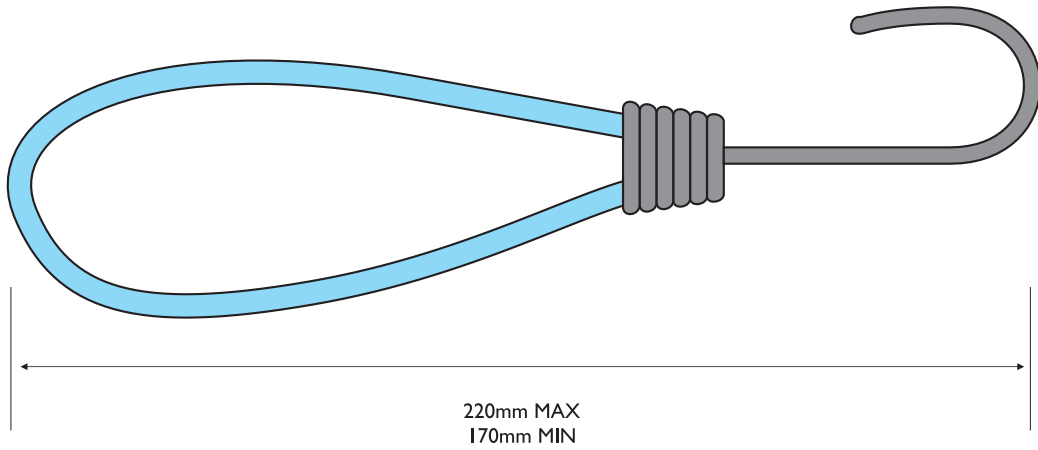
Banner Display Frames

Standard duty frames

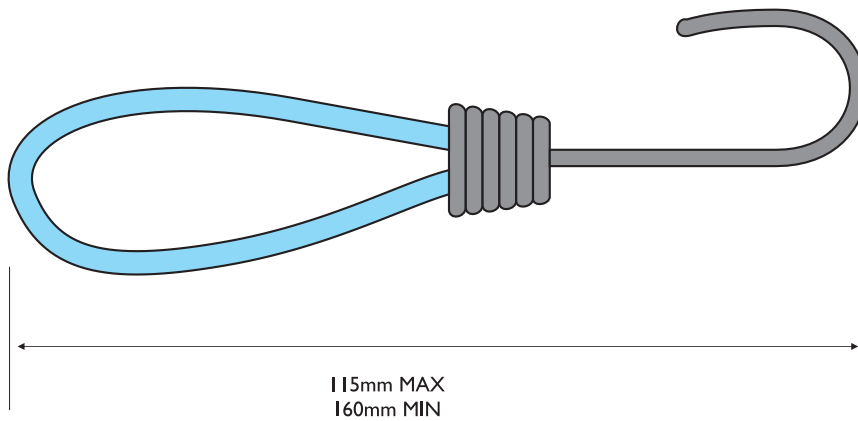


Banner Display Frames

Banner ties



Provides 6" gap around banner to frame



Provides 3" gap around banner to frame



Banner Display Frames

Standard duty frames

Our Standard Frame is typically used on golf courses, at sporting events and exhibitions.

Made from 25mm square anodised aluminium tube with plastic push-fit joints, our Standard Duty Banner Frames are suitable for outdoor or indoor use. Each frame comes with looped elastics to secure and tension the banner, carrying bag, and a set of pegs for outdoor events. The modular structure gives sufficient flexibility for different banner sizes, whilst even the longest element fits easily into a standard car.

(We can adapt for smaller cars too)

For outdoor use and can be adapted for indoors

- Made from anodised aluminium square tube
- Push fit plastic joints – no screws necessary
- Support legs are hinged to frame uprights
- Frame can be anchored to the ground with pegs
- Frame becomes tensioned when the banner is in place
- Pegs and looped elastics are provided together with carrying bag for ease of storage and transport
- Maximum tube length is 6ft (1.8m), so frame easily fits into the back of a car
- Frames basically made up of 5 x 3ft (1.52 x 0.914m) modules. This is flexible to suit different banner sizes
- Maximum recommended banner size 30 x 3ft (9.144 x 0.914m)
- Struts added to the legs to enable frames to be used on hard standing or indoors

Factors you need to know

- Double-sided to display the banners on the same frame.
- 6" or 3" gap all around the banner