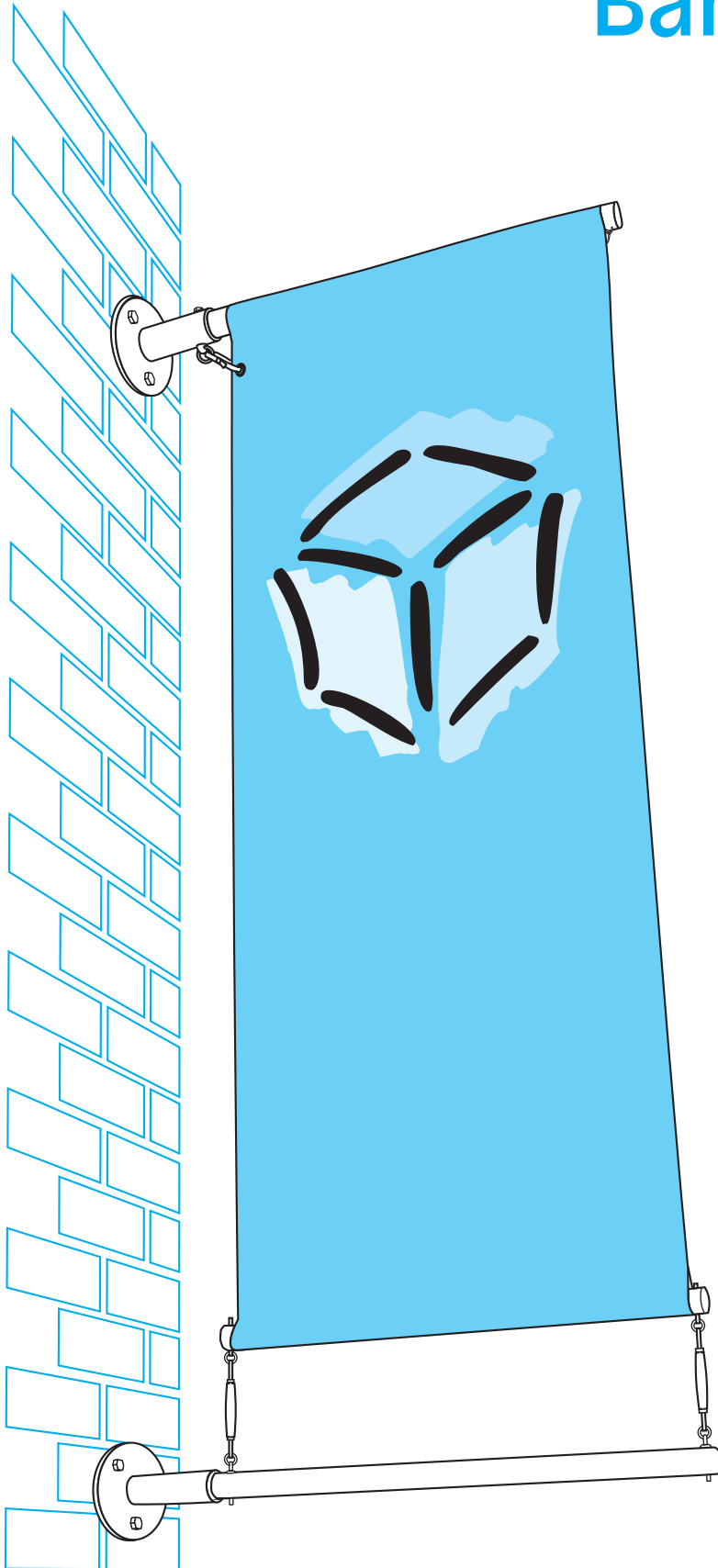


Standard Duty Systems

Banner Poles



Wall Mounted Banner Pole

Suitable for wall mounted PVC banners of 1.5m drop by 1.25m width. The 44.5mm diameter aluminium poles are finished in white.

Fixing plate 200mm diameter with 12mm holes.

End fittings available:

- Plain end caps
- White nylon truck
- Anodised gold finial

Recommended maximum banner area = 2m²

Standard Duty Systems

Banner Poles

Wall Mounted Banner Pole

Our most popular wall mount system has recently been upgraded with an enhanced bracket and is now available with an optional tensioner to ease fitting, adjusting and renewing the banner. Featuring an attractive circular steel bracket and aluminum arm, the Standard Duty system is suitable for use with banners with areas up to 2m²

Accessories

Tensioner
Single bracket
White end cap
Gold end cap

Banner

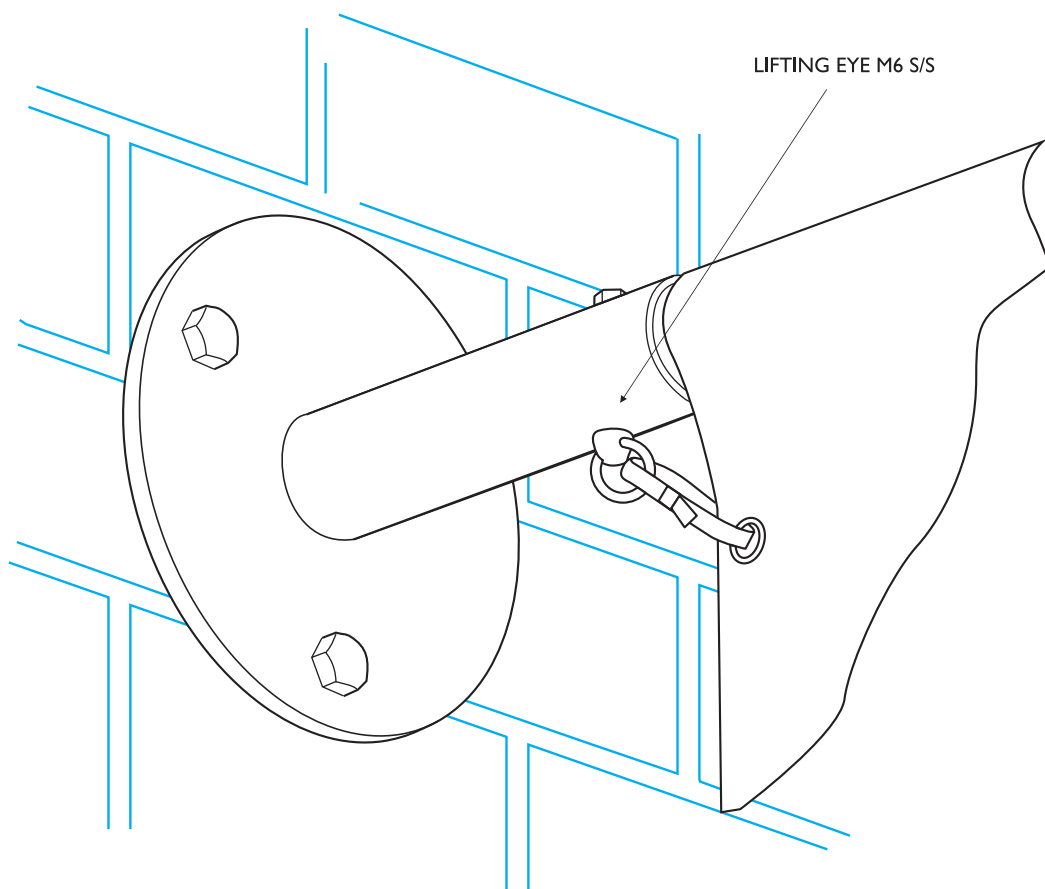
WIDTH	TENSIONER
500mm	•
1000mm	•
1250mm	•

Standard Duty Systems

Wall Mounted Pole Bracket

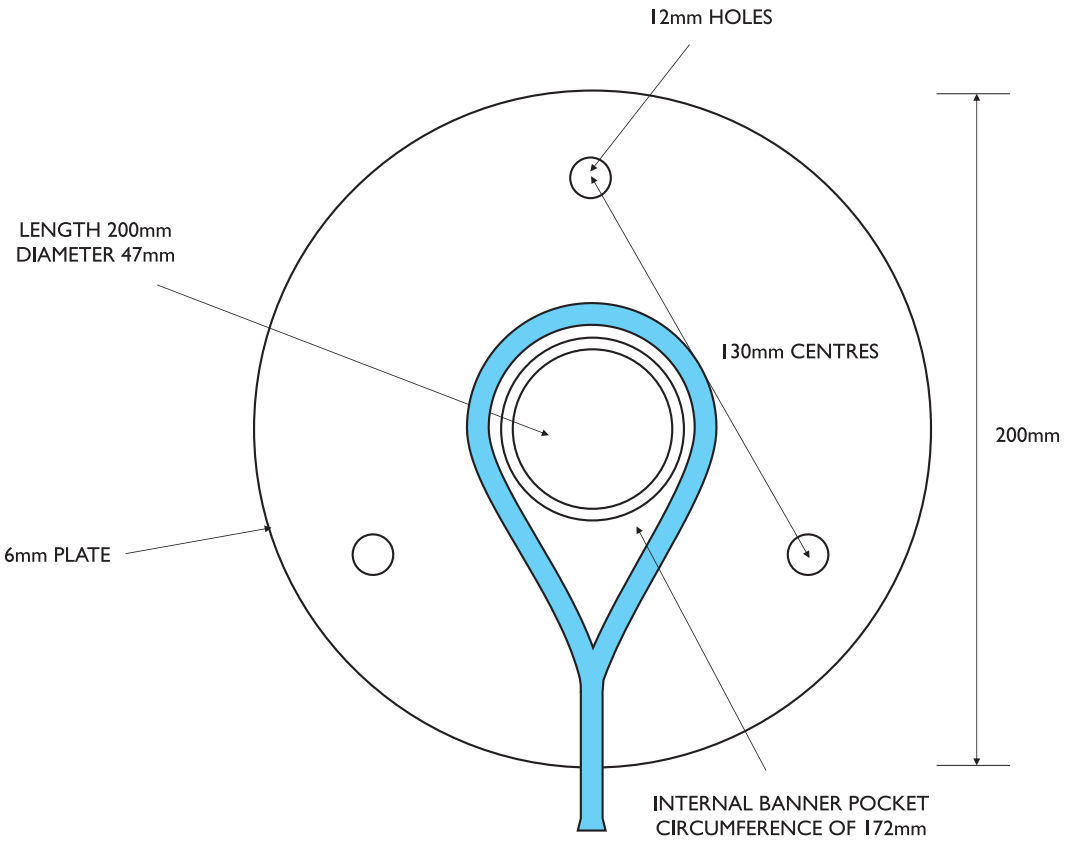
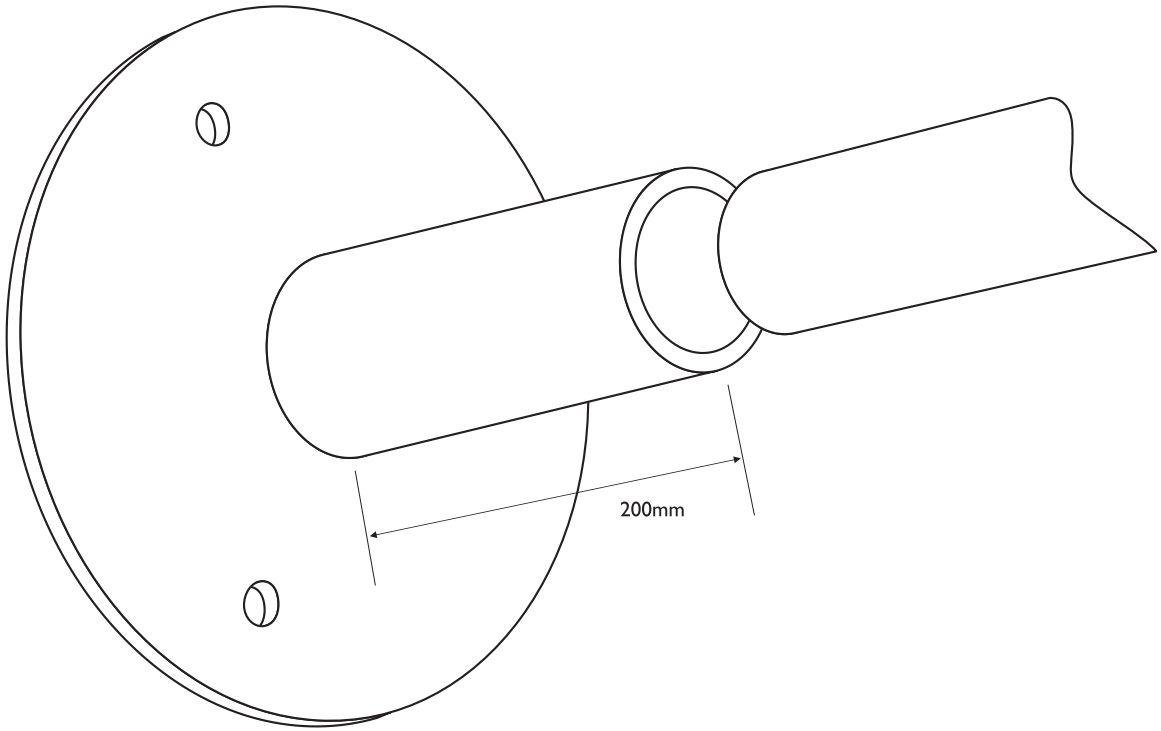
Technical information:

- 200mm diameter circular bracket with 12mm holes
- 44.5mm diameter aluminium arm fitted with end caps
- 46mm diameter aluminium Tension Bar with marine grade stainless steel fittings and M6 rigging screws
- White, powder-coated finish
- Domed end caps and gold finials available



Standard Duty Systems

Pole and Fitting Details



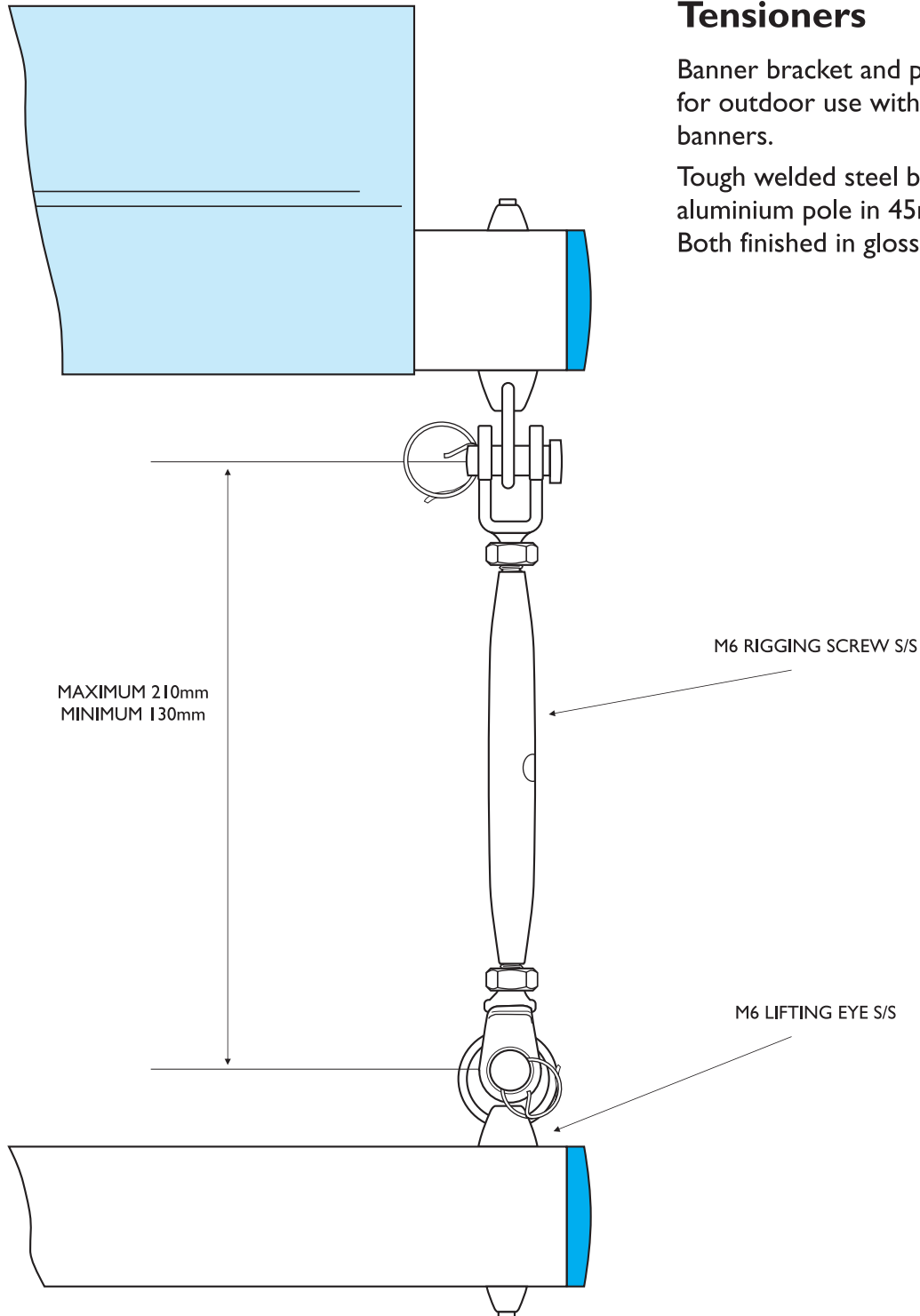
Standard Duty Systems

Pole Tensioners

Wall Mounted Pole - Tensioners

Banner bracket and pole suitable for outdoor use with PVC banners.

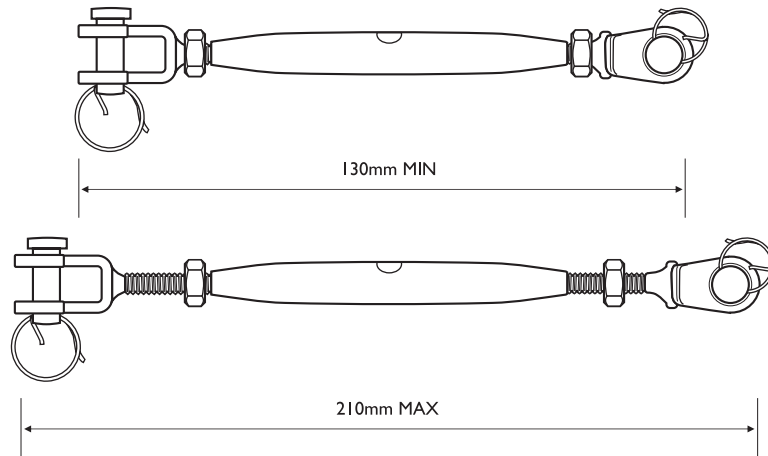
Tough welded steel bracket, aluminium pole in 45mm tube. Both finished in gloss white.



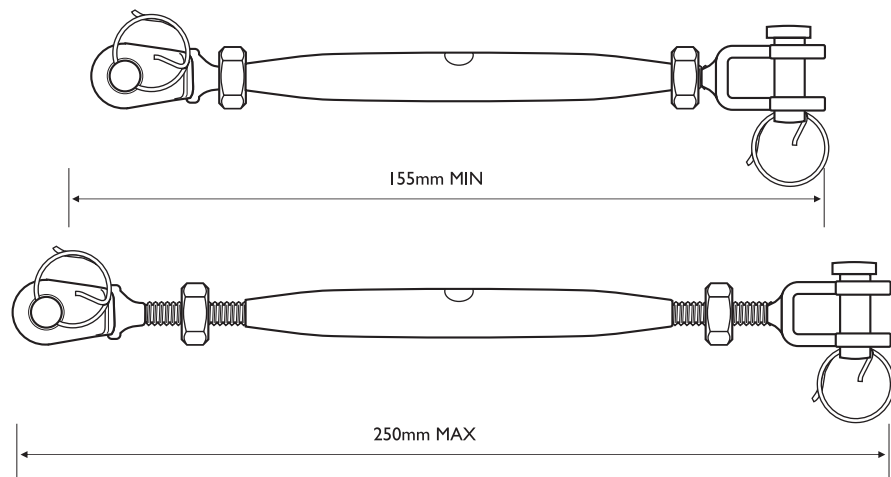
Standard Duty Systems

Rigging screws

M6



M8



M10

